

UTCDA143X

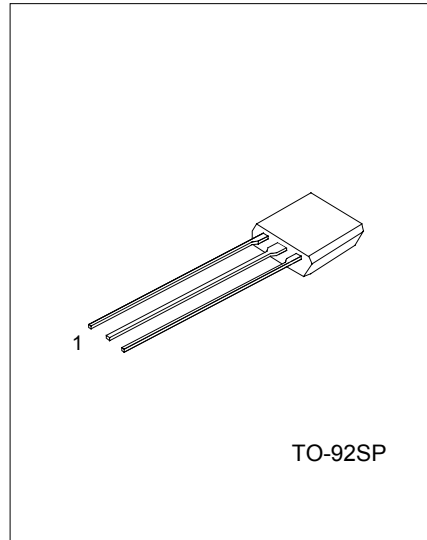
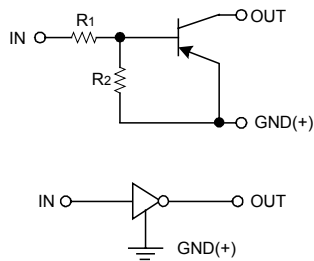
PNP DIGITAL TRANSISTOR

PNP DIGITAL TRANSISTOR

FEATURES

- * Built-in bias thin film resistors per equivalent circuit
- * Easy on/off applications

EQUIVALENT CIRCUIT



1: GND 2: OUT 3: IN

*Pb-free plating product number:DTA143XL

ABSOLUTE MAXIMUM RATINGS (Ta=25°C)

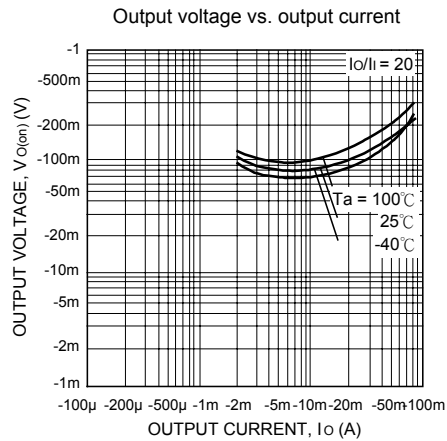
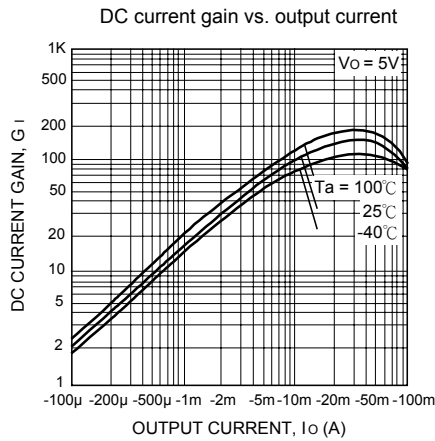
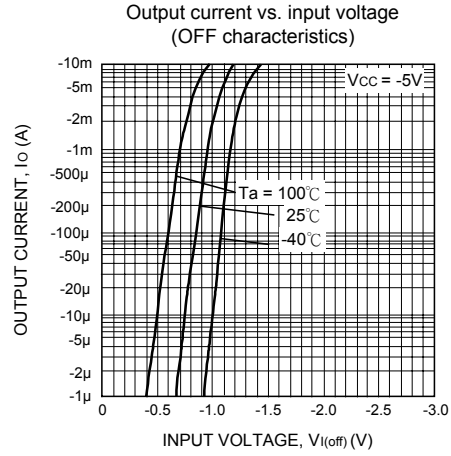
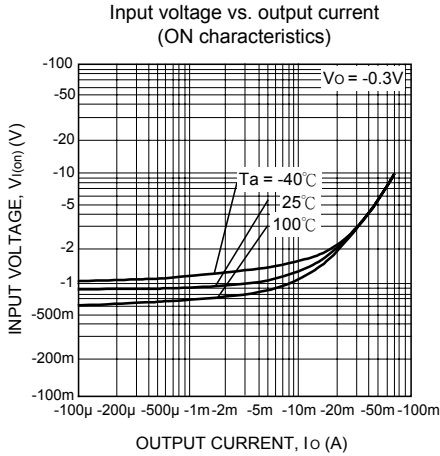
PARAMETER	SYMBOL	RATINGS	UNIT
Supply voltage	V _{CC}	-50	V
Input voltage	V _I	-20 ~ +7	V
Output current	I _O	-100	mA
	I _{C (Max.)}	-100	
Power dissipation	P _D	300	mW
Junction temperature	T _J	150	°C
Storage temperature	T _{stg}	-55 ~ +150	°C

ELECTRICAL CHARACTERISTICS (Ta = 25°C)

PARAMETER	SYMBOL	TEST CONDITIONS	MIN	TYP	MAX	UNIT
Input voltage	V _{I (off)}	V _{CC} =-5V, I _O =-100μA			-0.3	V
	V _{I (on)}	V _O =-0.3V, I _O =-20mA	-2.5			
Output voltage	V _{O (on)}	I _O /I _I =-10mA/-0.5mA		-0.1	-0.3	V
Input current	I _I	V _I =-5V			-1.8	mA
Output current	I _{O (off)}	V _{CC} =-50V, V _I =0V			-0.5	μA
DC current gain	G _I	V _O =-5V, I _O =-10mA	30			
Input resistance	R ₁		3.29	4.7	6.11	KΩ
Resistance ratio	R ₂ /R ₁		1.7	2.1	2.6	
Transition frequency	f _T	V _{CE} =-10V, I _E =5mA, f=100MHz *		250		MHz

* Transition frequency of the device

ELECTRICAL CHARACTERISTIC CURVES



UTC assumes no responsibility for equipment failures that result from using products at values that exceed, even momentarily, rated values (such as maximum ratings, operating condition ranges, or other parameters) listed in products specifications of any and all UTC products described or contained herein. UTC products are not designed for use in life support appliances, devices or systems where malfunction of these products can be reasonably expected to result in personal injury. Reproduction in whole or in part is prohibited without the prior written consent of the copyright owner. The information presented in this document does not form part of any quotation or contract, is believed to be accurate and reliable and may be changed without notice.