



P1580

Preliminary

LINEAR INTEGRATED CIRCUIT

380KHz, 2.5A STEP-DOWN SWITCHING REGULATOR

DESCRIPTION

The UTC **P1580** is a current mode, PWM controller with 380kHz fixed frequency. It achieves 2.5A continuous output current over a wide input supply range with excellent load and line regulation. By using an external compensation pin, this device offers user flexibility in determining loop dynamic.

The UTC **P1580** integrates control, monitor and protection functions to provide a low cost and perfect power solution. The device provides 3.5 to 28V wide range operating input and high-efficiency up to 90%.

An Under- Voltage-Lock-Output (UVLO) circuit monitors the supply voltage to prevent from wrong logic control. An internal 1.222V reference voltage provides low output voltage down to 1.22V for further applications. The over-current protection of controller monitors the output current by using the voltage drop across a current sensing resistor. Additional under voltage protection monitors the voltage on FB pin for short-circuits protection.

The UTC **P1580** provides fast transient response and requires very few external devices for operation.

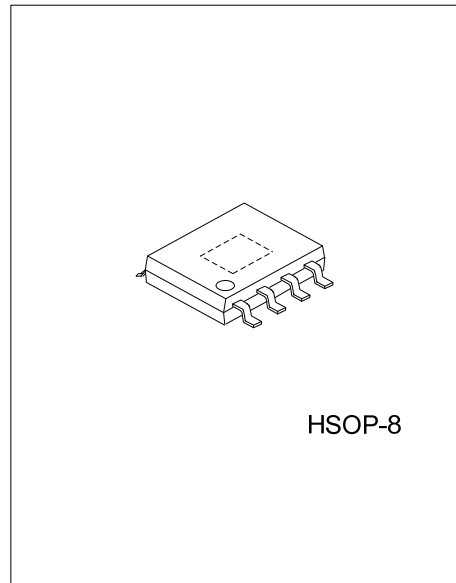
FEATURES

- * 2.5A Output Current
- * 380kHz Frequency of Operation
- * 3.5V to 28V Input Voltage Range
- * 5µA Shutdown Supply Current
- * Output Adjustable From 1.22 to 21
- * Frequency Feedback at Short Circuit
- * Thermal Shutdown
- * Under Voltage Lock Output
- * Current Mode With Low ESR Output Ceramic Capacitors
- * Up to 90% Efficiency
- * Frequency Synchronization Input

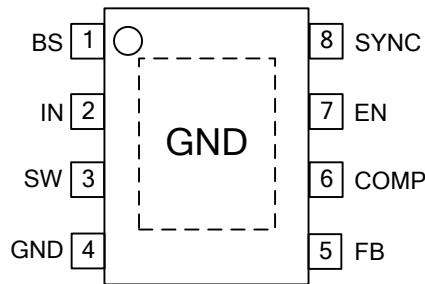
ORDERING INFORMATION

Ordering Number		Package	Packing
Lead Free	Halogen Free		
P1580L-SH2-R	P1580G-SH2-R	HSOP-8	Tape Reel
P1580L-SH2-T	P1580G-SH2-T	HSOP-8	Tube

<p>P1580G-SH2-R</p> <p>(1)Packing Type</p> <p>(2)Package Type</p> <p>(3)Halogen Free</p>	<p>(1) R: Tape Reel, T: Tube</p> <p>(2) SH2: HSOP-8</p> <p>(3) L: Lead Free, G: Halogen Free</p>
--	--



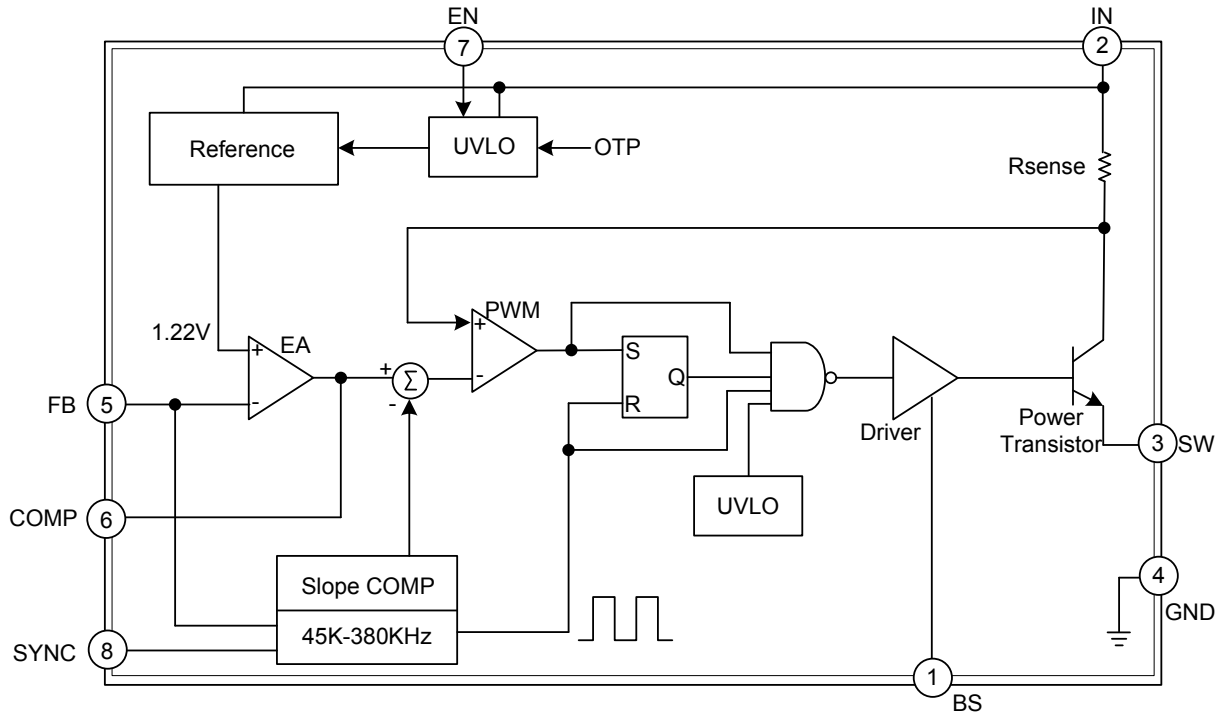
■ PIN CONFIGURATION



■ PIN DESCRIPTION

PIN NO.	PIN NAME	DESCRIPTION
1	BS	Supply pin to the power transistor driver. Tie to external circuit to generate a local supply voltage higher than the input voltage in order to fully turn on the internal power transistor.
2	IN	Power Supply pin.
3	SW	Power Switch Output pin.
4	GND	Ground pin.
5	FB	The output voltage feedback pin. It is also the inverting input of the error amplifier.
6	COMP	Compensation pin. It is also the output of the internal error amplifier. (1). A RC network at this pin compensates the control loop. (2). The voltage at this pin controls the peak current of the internal switch.
7	EN	Regulator On/Off Control pin. Leave EN unconnected if unused. A low input at EN turns on the converter, and a high input turns it off.
8	SYNC	Synchronization Input - The sync pin is used to synchronize the internal oscillator to an external signal.

■ BLOCK DIAGRAM



■ ABSOLUTE MAXIMUM RATING (Note 3)

PARAMETER	SYMBOL	RATINGS	UNIT
Supply Voltage	V_{IN}	28	V
Switch Voltage	V_{SW}	$-1 \sim V_{IN}+1$	V
Boost Voltage	V_{BS}	$V_{SW}+6$	V
Feedback Voltage	V_{FB}	$-0.3 \sim 6$	V
Enable/UVLO Voltage	V_{EN}	$-0.3 \sim 6$	V
Compensation Voltage	V_{COMP}	$-0.3 \sim 6$	V
Synchronization Voltage	V_{SYNC}	$-0.3 \sim 6$	V
Junction Temperature	T_J	150	°C
Storage Temperature	T_{STG}	$-65 \sim +150$	°C

Note: Absolute maximum ratings are those values beyond which the device could be permanently damaged. Absolute maximum ratings are stress ratings only and functional device operation is not implied.

■ RECOMMENDED OPERATING CONDITIONS (Note 1)

PARAMETER	SYMBOL	RATINGS	UNIT
Input Voltage	V_{IN}	3.5~28	V
Ambient Operating Temperature	T_A	$-40 \sim +125$	°C

Note: The device is not guaranteed to function outside its operating rating.

■ THERMAL DATA (Note 1)

PARAMETER	SYMBOL	RATINGS	UNIT
Junction to Ambient	θ_{JA}	105	°C/W
Junction to Case	θ_{JC}	50	°C/W

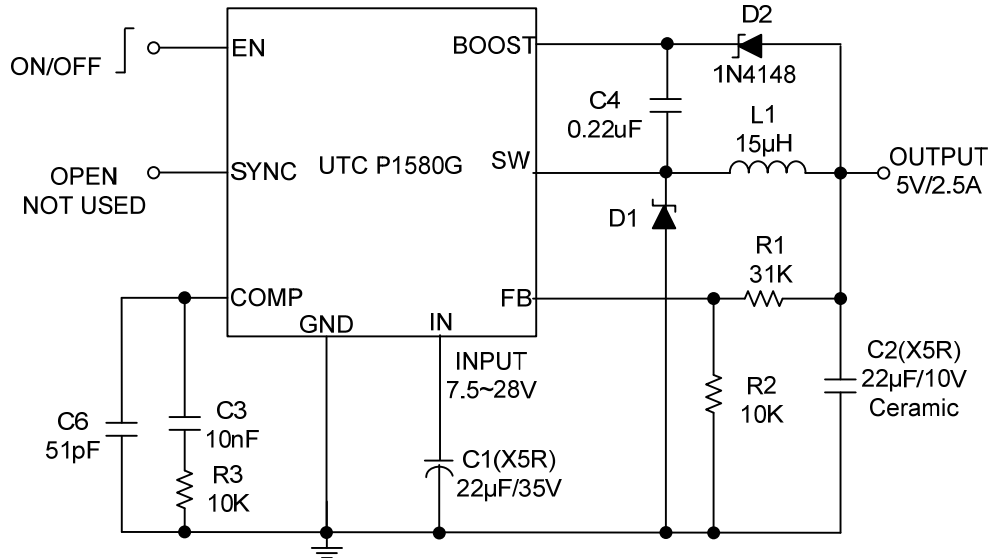
Note: Measured on approximately 1" square of 1 oz. Copper surrounding device leads.

■ ELECTRICAL CHARACTERISTICS ($V_{IN}=12V$, $T_A=25^\circ C$, unless otherwise specified)

PARAMETER	SYMBOL	TEST CONDITIONS	MIN	TYP	MAX	UNIT
Feedback Voltage	V_{FB}	$7V \leq V_{IN} \leq 25V$, $V_{COMP} < 2V$	1.198	1.222	1.246	V
Upper Switch Leakage		$V_{EN}=0V$, $V_{SW}=0V$		0.1	10	μA
Current Limit	I_{LIMIT}		3.1	3.3	3.3	A
Current Limit Gain. Output Current to Comp Pin Voltage	G_{COMP}			2.2		A/V
Error Amplifier Voltage Gain	A_{VEA}			400		V/V
Error Amplifier Transconductance	G_{EA}	$\Delta I_C = \pm 10\mu A$	680	770	1000	$\mu A/V$
Oscillator Frequency	F_{OSC}		342	380	418	KHz
Short Circuit Frequency	F_{SC}	$V_{FB}=0V$	40	46	54	KHz
Synchronization Frequency	F_{SYNC}	Sync Drive 0 ~ 2.7V	370		660	KHz
Duty Cycle	Maximum	D_{MAX}		90		%
	Minimum	D_{MIN}			0	%
Switch V_{CESAT}		$I_{SW}=2A$		400		mV
Enable Threshold	V_{EN}	$I_{CC} > 100\mu A$	0.9	1.1	1.3	V
Enable Pull Up Current	I_{EN}	$V_{EN}=0V$		0.1		μA
Supply Current	Shutdown	I_{SHDN}		5	8	μA
	Quiescent	I_Q		1.7		mA
Current of Short Circuit	I_{SC}	$V_{IN}=10V$		1.8		A
Thermal Shutdown	T_{OTP}			160		°C

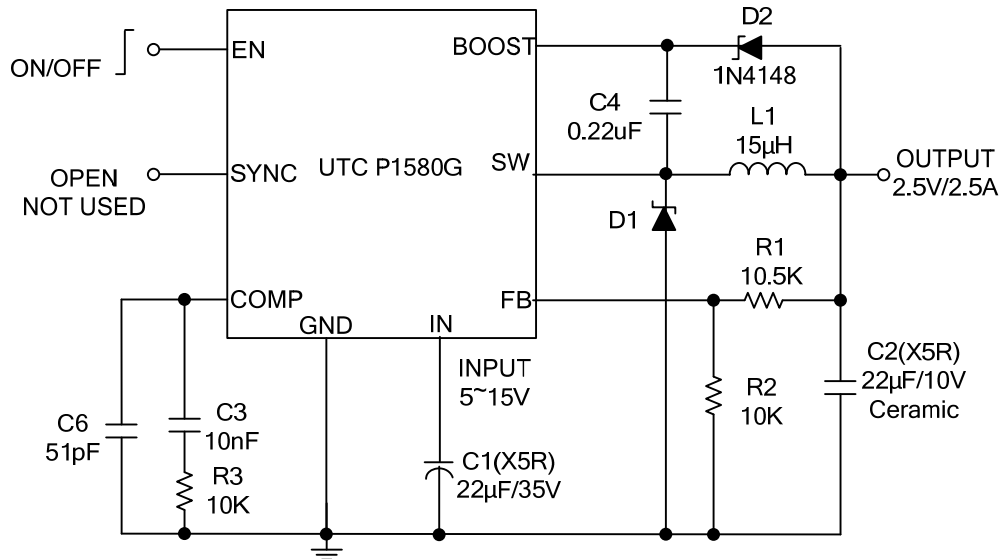
Note: If the V_{IN} voltage exceeding 23V under short circuit condition, there will be some risk.

■ TYPICAL APPLICATION CIRCUIT



UTC P1580 with 5V Output Voltage and 22µF / 10V Ceramic Output Capacitor

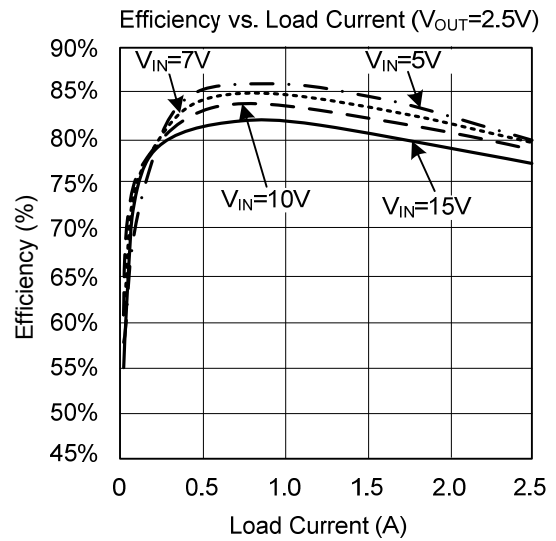
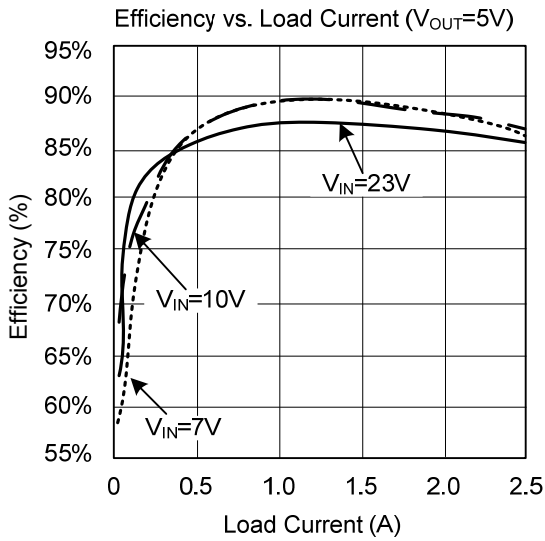
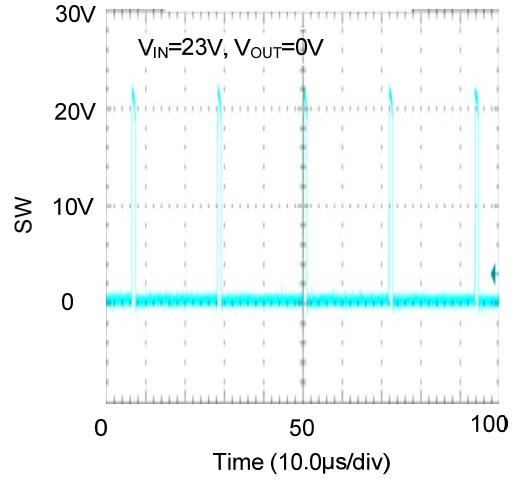
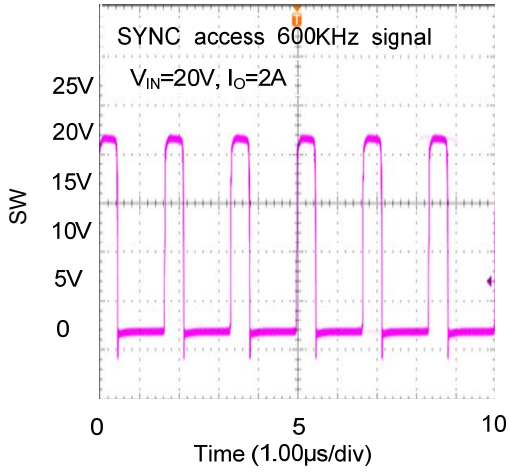
If the load current is applied in 2A, the input voltage can range from 7 to 28V.



UTC P1580 with 2.5V Output Voltage and 22µF / 10V Ceramic Output Capacitor

If the load current is applied in 2A, the input voltage can range from 4.4 to 28V.

■ TYPICAL CHARACTERISTICS



UTC assumes no responsibility for equipment failures that result from using products at values that exceed, even momentarily, rated values (such as maximum ratings, operating condition ranges, or other parameters) listed in products specifications of any and all UTC products described or contained herein. UTC products are not designed for use in life support appliances, devices or systems where malfunction of these products can be reasonably expected to result in personal injury. Reproduction in whole or in part is prohibited without the prior written consent of the copyright owner. The information presented in this document does not form part of any quotation or contract, is believed to be accurate and reliable and may be changed without notice.