



CR03AM-12

SCR

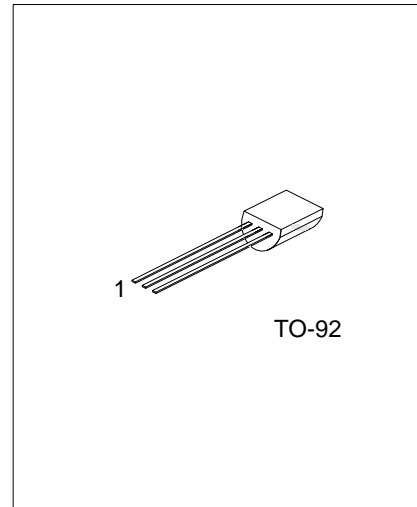
THYRISTOR

DESCRIPTION

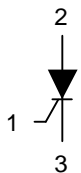
The UTC CR03AM-12 is suitable for low power applications.

FEATURES

- * $I_{T(AV)}$: 0.3 A
- * V_{DRM} : 600 V
- * I_{GT} : 100 μ A
- * Non-Insulated Type
- * Glass Passivation Type



SYMBOL



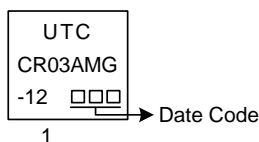
ORDERING INFORMATION

Ordering Number	Package	Pin Assignment			Packing
		1	2	3	
CR03AMG-12-x-T92-B	TO-92	G	A	K	Tape Box
CR03AMG-12-x-T92-K	TO-92	G	A	K	Bulk

Note: Pin assignment: G: Gate A: Anode K: Cathode

<p>CR03AMG-12-x-T92-K</p> <p>(1)Packing Type (2)Package Type (3)Rank (4)Green Package</p>	<p>(1) B: Tape Box, K: Bulk (2) T92: TO-92 (3) refer to CLASSIFICATION OF I_{GT} (4) G: Halogen Free and Lead Free</p>
---	---

MARKING



■ ABSOLUTE MAXIMUM RATING

PARAMETER	SYMBOL	RATINGS	UNIT	
Repetitive Peak Voltage	Reverse	V_{RRM}	600	V
	Off-State (Note2)	V_{DRM}	600	V
Non-Repetitive Peak Voltage	Reverse	V_{RSM}	800	V
	Off-State (Note2)	V_{DSM}	800	V
DC Voltage	Reverse	$V_{R(DC)}$	480	V
	Off-State (Note2)	$V_{D(DC)}$	480	V
Peak Gate Voltage	Forward	V_{FGM}	6	V
	Reverse	V_{RGM}	6	V
Peak Gate Forward Current	I_{FGM}	0.3	A	
RMS On-State Current	$I_{T(RMS)}$	0.47	A	
Surge On-State Current (60Hz sine half wave 1 full cycle, peak value, non-repetitive)	I_{TSM}	20	A	
Average On-State Current (Commercial frequency, sine half wave 180° conduction, $T_A = 47^{\circ}C$)	$I_{T(AV)}$	0.3	A	
I^2t for Fusing (Value corresponding to 1 cycle of half wave 60Hz, surge on-state current)	I^2t	1.6	A^2s	
Peak Gate Power Dissipation	P_{GM}	0.5	W	
Average Gate Power Dissipation	$P_{G(AV)}$	0.1	W	
Mass (Typical value)		0.23	g	
Junction Temperature	T_J	-40 ~ +110	$^{\circ}C$	
Storage Temperature	T_{STG}	-40 ~ +125	$^{\circ}C$	

Notes: 1. Absolute maximum ratings are those values beyond which the device could be permanently damaged.

Absolute maximum ratings are stress ratings only and functional device operation is not implied

2. With gate to cathode resistance $R_{GK} = 1k\Omega$

■ THERMAL DATA

PARAMETER	SYMBOL	MAX	UNIT
Junction to Ambient	θ_{JA}	180	$^{\circ}C/W$

■ ELECTRICAL CHARACTERISTICS

PARAMETER	SYMBOL	TEST CONDITIONS	MIN	TYP	MAX	UNIT
Repetitive Peak Reverse Current	I_{RRM}	$T_J = 110^{\circ}C$, V_{RRM} applied			0.1	mA
Repetitive Peak Off-State Current	I_{DRM}	$T_J = 110^{\circ}C$, V_{DRM} applied, $R_{GK} = 1k\Omega$			0.1	mA
On-State Voltage ($T_A = 25^{\circ}C$)	V_{TM}	$I_{TM} = 4$ A, instantaneous value			1.8	V
Gate Trigger Voltage	V_{GT}	$T_J = 25^{\circ}C$, $V_D = 6$ V, $I_T = 0.1$ A			0.8	V
Gate Non-Trigger Voltage	V_{GD}	$T_J = 110^{\circ}C$, $V_D = 1/2 V_{DRM}$, $R_{GK} = 1k\Omega$	0.2			V
Gate Trigger Current	I_{GT}	$T_J = 25^{\circ}C$, $V_D = 6$ V, $I_T = 0.1$ A	1		100	μA
Holding Current	I_H	$T_J = 25^{\circ}C$, $V_D = 12$ V, $R_{GK} = 1k\Omega$		1.5	3	mA

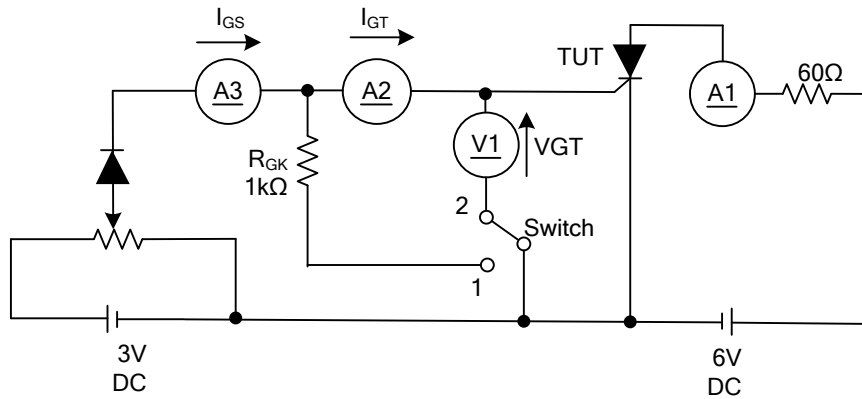
■ CLASSIFICATION OF I_{GT}

If special values of I_{GT} are required, choose item D or E from those listed in the table below if possible.

RANK	D	E
RANGE	1 ~ 50	20 ~ 100

Note: The above values do not include the current flowing through the $1k\Omega$ resistance between the gate and cathode.

■ I_{GT} , V_{GT} MEASUREMENT CIRCUIT



Switch 1: I_{GT} Measurement
 Switch 2: V_{GT} Measurement

UTC assumes no responsibility for equipment failures that result from using products at values that exceed, even momentarily, rated values (such as maximum ratings, operating condition ranges, or other parameters) listed in products specifications of any and all UTC products described or contained herein. UTC products are not designed for use in life support appliances, devices or systems where malfunction of these products can be reasonably expected to result in personal injury. Reproduction in whole or in part is prohibited without the prior written consent of the copyright owner. UTC reserves the right to make changes to information published in this document, including without limitation specifications and product descriptions, at any time and without notice. This document supersedes and replaces all information supplied prior to the publication hereof.