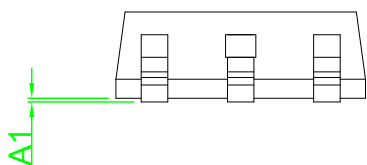
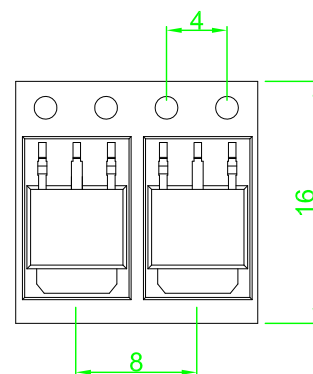


Recommended Land Pattern



Symbol	Dimensions in Millimeters		Dimensions in Inches	
	Min	Max	Min	Max
A	2.20	2.40	0.087	0.094
A1	0.00	0.15	0.000	0.006
b	0.51	0.89	0.020	0.035
b1	0.70	0.95	0.028	0.037
C	0.40	0.60	0.016	0.024
C1	0.40	0.60	0.016	0.024
D	6.40	6.80	0.252	0.268
D1	5.21	5.46	0.205	0.215
E	5.20	6.20	0.205	0.244
E1	0.90	2.00	0.035	0.079
e	2.30 TYP		0.090 TYP	
H	9.40	10.40	0.370	0.409
L	0.90	1.50	0.035	0.059
L1	0.64	1.02	0.025	0.040
θ	0°	8°	0°	8°



Qty / Reel	Reel Size
2500pcs	13"

Refer to JEDEC No. TO-252



友順科技股份有限公司
UNISONIC TECHNOLOGIES CO.,LTD

正式發行圖面

SCALE	mm
5: 發行	0 30
SHEET	FOR THIRD ANGLE PROJECTION
of	SEP 25 2013
ENG.	Henry Hsiao 2013/9/18
APPR.	Henry Hsiao 2013/9/18

REV: A1
PART NO: TO-252-3
DWG NO: DIM-TO-252-3-000-A1

TITLE
TO-252-3
Package Dimensions