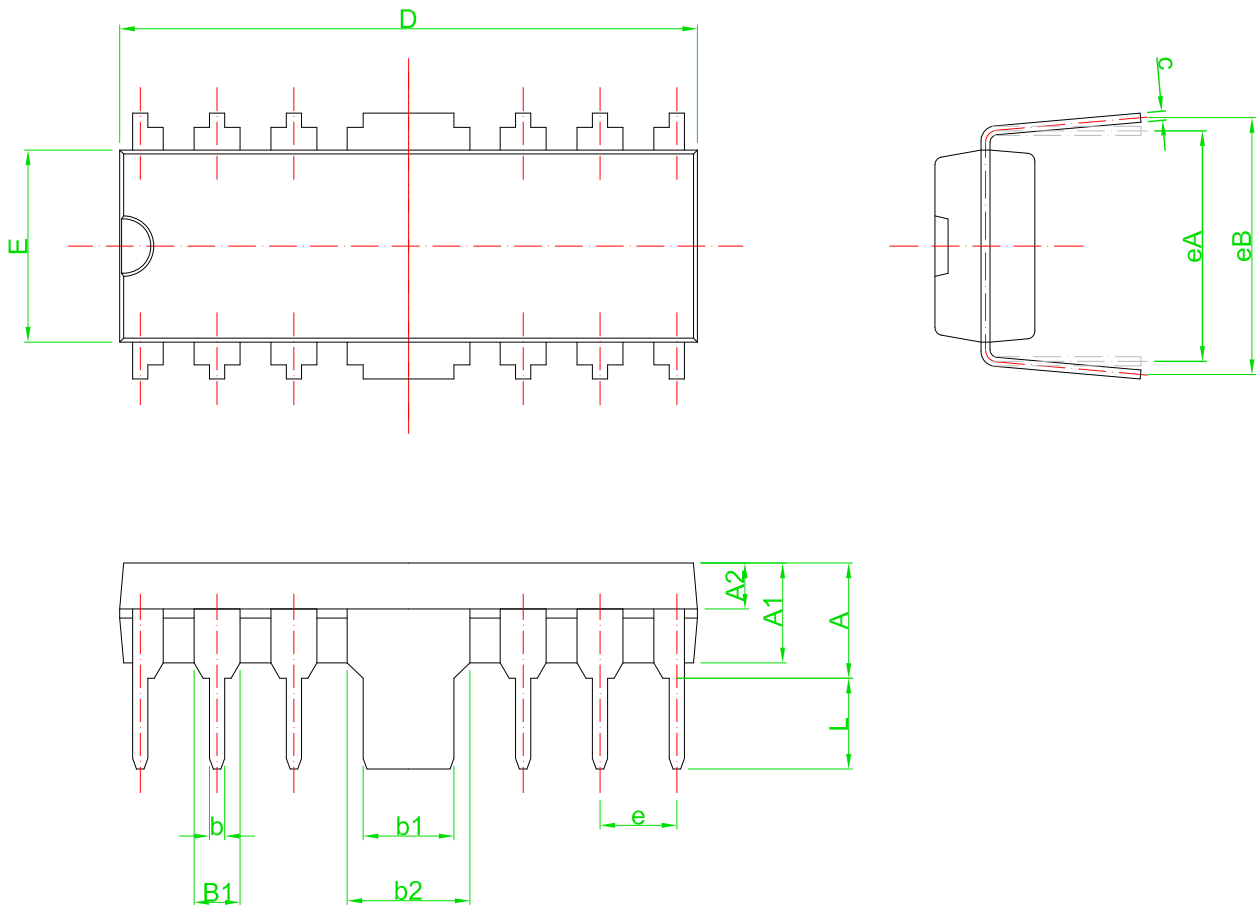


禁用RoHS / REACH/SS00259 之有害物質



Symbol	Dimensions in Millimeters		Dimensions in Inches	
	Min	Max	Min	Max
A	3.60	4.00	0.142	0.157
A1	3.20	3.40	0.126	0.134
A2	1.47	1.57	0.058	0.062
b	0.44	0.53	0.017	0.021
B1	1.52 TYP		0.060 TYP	
b1	3.00	---	0.118	---
b2	4.06	---	0.160	---
c	0.25	0.31	0.010	0.012
D	18.90	19.30	0.744	0.760
E	6.15	6.55	0.242	0.258
e	2.54 TYP		0.100 TYP	
eA	7.62 TYP		0.300 TYP	
eB	7.62	9.30	0.300	0.366
L	3.00	---	0.118	---



友順科技股份有限公司  
UNISONIC TECHNOLOGIES CO.,LTD

正式發行圖面

SCALE	mm
2:發行	0 30
SHEET FOR ISSUE	THIRD ANGLE PROJECTION
of 1	JAN 18 2012
ENG. 文件管理	Naomi Lin 2012/1/11
APPR. UTC Doc Control Center	Henry Hsiao 2012/1/11

REV: A0  
PART NO: DIP-12H  
DWG NO: DIM-HDIP-12-000-A0

TITLE  
DIP-12H  
Package Dimensions