



## UT2301Z

Power MOSFET

### -2.8A, -20V P-CHANNEL ENHANCEMENT MODE POWER MOSFET

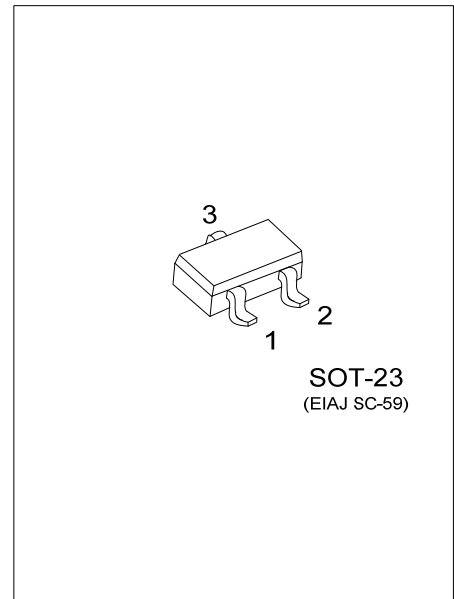
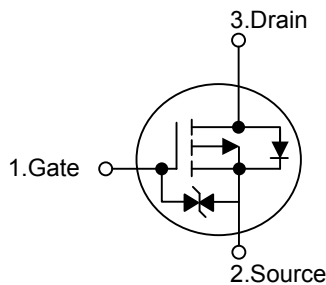
#### DESCRIPTION

The UTC **UT2301Z** is a P-channel enhancement mode power MOSFET with fast switching speed, low on-resistance and favorable stabilization. It can be used in commercial and industrial surface mount applications and suited for low voltage applications such as DC/DC converters.

#### FEATURES

- \* Very High Density Cell Design for Low On-Resistance
- \* Very Good Thermal and Electrical Capabilities

#### SYMBOL



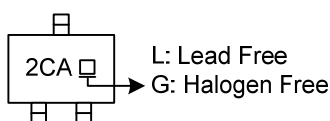
#### ORDERING INFORMATION

Ordering Number		Package	Pin Assignment			Packing
Lead Free	Halogen Free		1	2	3	
UT2301ZL-AE3-R	UT2301ZG-AE3-R	SOT-23	G	S	D	Tape Reel

Note: Pin Assignment: G: Gate S: Source D: Drain

UT2301ZG-AE3-R 	(1)Packing Type (2)Package Type (3)Green Package	(1) R: Tape Reel (2) AE3: SOT-23 (3) G: Halogen Free and Lead Free, L: Lead Free
--------------------	--	--

#### MARKING



■ ABSOLUTE MAXIMUM RATINGS ( $T_A = 25^\circ\text{C}$ , unless otherwise specified)

PARAMETER	SYMBOL	RATING	UNITS
Drain-Source Voltage	$V_{DS}$	-20	V
Gate-Source Voltage	$V_{GS}$	$\pm 8$	V
Continuous Drain Current	$I_D$	-2.8	A
Pulsed Drain Current (Note 2, 3)	$I_{DM}$	-10	A
Total Power Dissipation (Note 4)	$P_D$	1.25	W
Junction Temperature	$T_J$	+150	$^\circ\text{C}$
Storage Temperature	$T_{STG}$	-55 ~ +150	$^\circ\text{C}$

Notes: 1. Absolute maximum ratings are those values beyond which the device could be permanently damaged.

Absolute maximum ratings are stress ratings only and functional device operation is not implied.

2. Repetitive Rating : Pulse width limited by maximum junction temperature.

3. Pulse width  $\leq 300\mu\text{s}$ , duty cycle  $\leq 2\%$ .

4. Surface mounted on 1 in  $\times$  2 copper pad of FR4 board.

■ THERMAL CHARACTERISTICS

PARAMETER	SYMBOL	RATING	UNIT
Junction to Ambient	$\theta_{JA}$	100	$^\circ\text{C/W}$

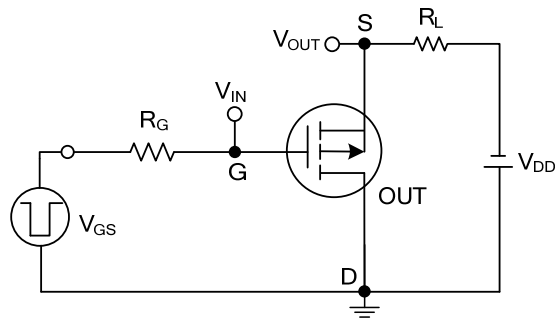
Note: Device mounted on FR-4 substrate PC board, 2oz copper, with 1inch square copper plate.

■ ELECTRICAL CHARACTERISTICS ( $I_D = -2.3\text{A}$ ,  $T_A = 25^\circ\text{C}$ , unless otherwise specified)

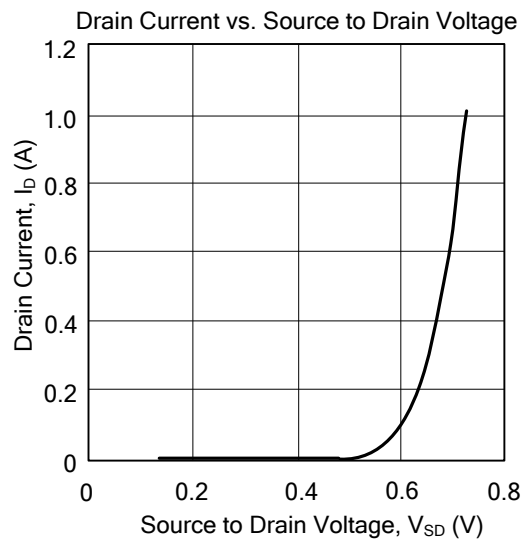
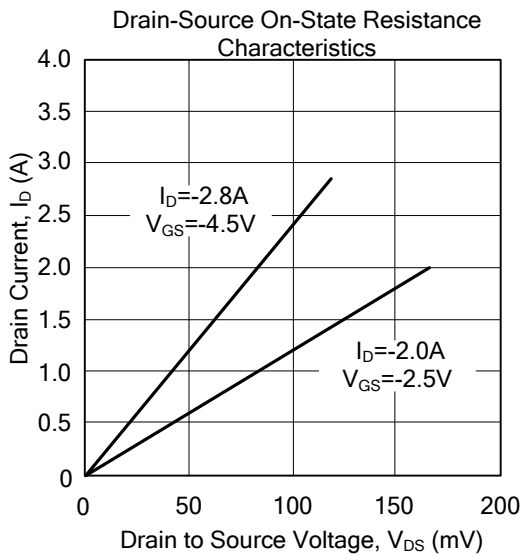
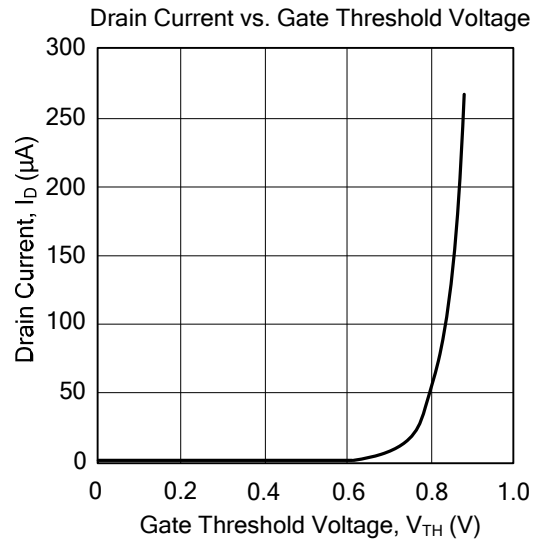
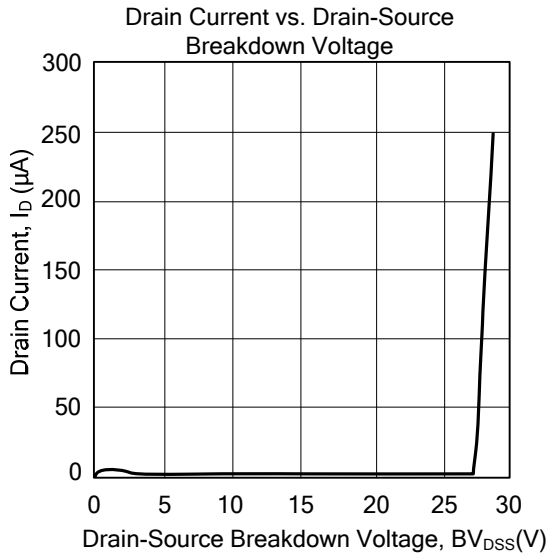
PARAMETER	SYMBOL	TEST CONDITIONS	MIN	TYP	MAX	UNITS
<b>OFF CHARACTERISTICS</b>						
Drain-Source Breakdown Voltage	$BV_{DSS}$	$V_{GS}=0\text{V}$ , $I_D=-250\mu\text{A}$	-20			V
Zero Gate Voltage Drain Current	$I_{DSS}$	$V_{DS}=-16\text{V}$ , $V_{GS}=0\text{V}$			-1.0	$\mu\text{A}$
Gate-Source Leakage Current	$I_{GSS}$	$V_{GS}=\pm 8\text{V}$ , $V_{DS}=0\text{V}$			$\pm 5$	$\mu\text{A}$
<b>ON CHARACTERISTICS</b>						
Gate Threshold Voltage	$V_{GS(TH)}$	$V_{DS}=V_{GS}$ , $I_D=-250\mu\text{A}$	-0.45			V
Static Drain-Source On-State Resistance	$R_{DS(ON)}$	$V_{GS}=-4.5\text{V}$ , $I_D=-2.8\text{A}$		95	130	m $\Omega$
		$V_{GS}=-2.5\text{V}$ , $I_D=-2.0\text{A}$		122	190	m $\Omega$
On-State Drain Current	$I_{D(ON)}$	$V_{DS}=-5\text{V}$ , $V_{GS}=-10\text{V}$	-6			A
Forward Transconductance	$g_{FS}$	$V_{DS}=-5\text{V}$ , $I_D=-2.8\text{A}$		6.5		S
<b>DYNAMIC CHARACTERISTICS</b>						
Input Capacitance	$C_{ISS}$	$V_{GS}=0\text{V}$ , $V_{DS}=-6\text{V}$ , $f=1.0\text{MHz}$		447		pF
Output Capacitance	$C_{OSS}$			127		pF
Reverse Transfer Capacitance	$C_{RSS}$			80		pF
<b>SWITCHING CHARACTERISTICS</b>						
Total Gate Charge (Note)	$Q_G$	$V_{DS}=-6\text{V}$ , $V_{GS}=-4.5\text{V}$ , $I_D=-2.8\text{A}$		5.4	10	nC
Gate-Source Charge	$Q_{GS}$			0.8		nC
Gate-Drain Charge	$Q_{GD}$			1.1		nC
Turn-ON Delay Time (Note)	$t_{D(ON)}$	$V_{DD}=-6\text{V}$ , $V_{GEN}=-4.5\text{V}$ , $I_D=-1\text{A}$ , $R_G=6\Omega$ , $R_L=6\Omega$		5	25	ns
Turn-ON Rise Time	$t_R$			19	60	ns
Turn-OFF Delay Time	$t_{D(OFF)}$			95	110	ns
Turn-OFF Fall Time	$t_F$			65	80	ns
<b>SOURCE- DRAIN DIODE RATINGS AND CHARACTERISTICS</b>						
Maximum Diode Forward Current	$I_S$				-1.6	A
Diode Forward Voltage (Note)	$V_{SD}$	$I_S=-1.6\text{A}$ , $V_{GS}=0\text{V}$		-0.8	-1.2	V

Notes: Pulse width  $\leq 300\mu\text{s}$ , Duty Cycle  $\leq 2\%$

### ■ SWITCHING TEST CIRCUIT



### TYPICAL CHARACTERISTICS



UTC assumes no responsibility for equipment failures that result from using products at values that exceed, even momentarily, rated values (such as maximum ratings, operating condition ranges, or other parameters) listed in products specifications of any and all UTC products described or contained herein. UTC products are not designed for use in life support appliances, devices or systems where malfunction of these products can be reasonably expected to result in personal injury. Reproduction in whole or in part is prohibited without the prior written consent of the copyright owner. UTC reserves the right to make changes to information published in this document, including without limitation specifications and product descriptions, at any time and without notice. This document supersedes and replaces all information supplied prior to the publication hereof.