



# UT40N04

*Power MOSFET*

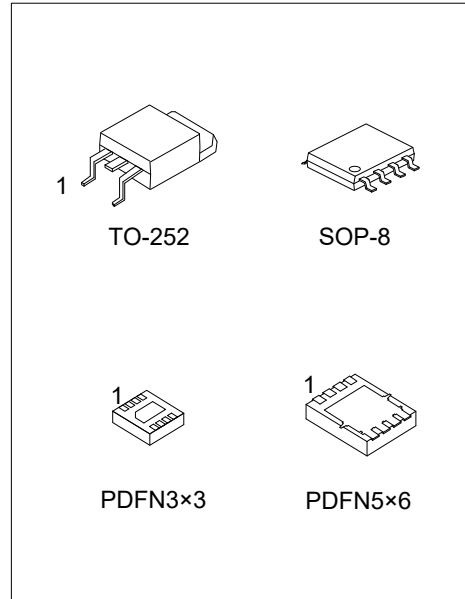
## N-CHANNEL LOGIC LEVEL ENHANCEMENT MODE FIELD EFFECT TRANSISTOR

### DESCRIPTION

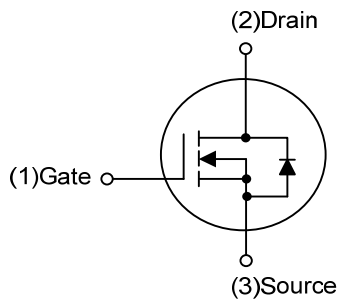
The UTC **UT40N04** is an N-channel enhancement mode FET using advanced technology to provide fast switching speed, ruggedized device design, low on-resistance and cost-effectiveness.

### FEATURES

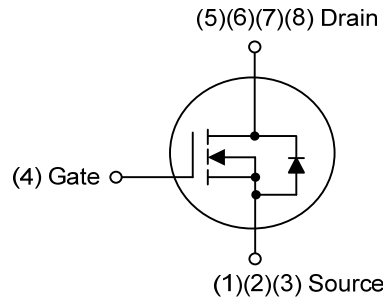
- \* Low on-Resistance
- \* Fast Switching Speed



### SYMBOL



TO-252



SOP-8/PDFN3x3/PDFN5x6

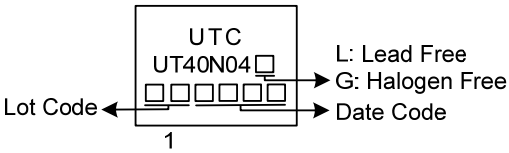
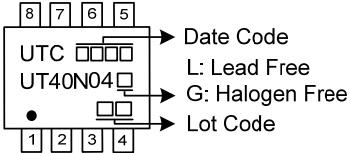
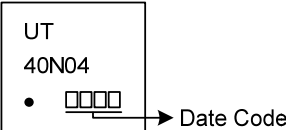
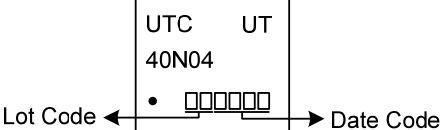
### ORDERING INFORMATION

Ordering Number		Package	Pin Assignment								Packing
Lead Free	Halogen Free		1	2	3	4	5	6	7	8	
UT40N04L-TN3-R	UT40N04G-TN3-R	TO-252	G	D	S	-	-	-	-	-	Tape Reel
UT40N04L-S08-R	UT40N04G-S08-R	SOP-8	S	S	S	G	D	D	D	D	Tape Reel
UT40N04L-P3030-R	UT40N04G-P3030-R	PDFN3x3	S	S	S	G	D	D	D	D	Tape Reel
UT40N04L-P5060-R	UT40N04G-P5060-R	PDFN5x6	S	S	S	G	D	D	D	D	Tape Reel

Note: Pin Assignment: G: Gate D: Drain S: Source

<p>UT40N04G-TN3-R</p> <ul style="list-style-type: none"> <li>(1)Packing Type</li> <li>(2)Package Type</li> <li>(3)Green Package</li> </ul>	<ul style="list-style-type: none"> <li>(1) R: Tape Reel</li> <li>(2) TN3: TO-252, S08: SOP-8, P3030: PDFN3x3 P5060: PDFN5x6</li> <li>(3) G: Halogen Free and Lead Free, L: Lead Free</li> </ul>
--	---

■ MARKING

TO-252	SOP-8
 <p>UTC UT40N04 □ □ □ □ □ □ □ 1</p> <p>Lot Code ←</p> <p>→ L: Lead Free → G: Halogen Free → Date Code</p>	 <p>8 7 6 5 UTC □ □ □ □ UT40N04 □ • □ □ 1 2 3 4</p> <p>→ Date Code → L: Lead Free → G: Halogen Free → Lot Code</p>
PDFN3×3	PDFN5×6
 <p>UT 40N04 • □ □ □ □</p> <p>→ Date Code</p>	 <p>UTC UT 40N04 • □ □ □ □ □ □</p> <p>Lot Code ← → Date Code</p>

■ ABSOLUTE MAXIMUM RATINGS ( $T_A=25^{\circ}\text{C}$ , Unless otherwise specified)

PARAMETER		SYMBOL	RATINGS	UNIT
Drain-Source Voltage		$V_{DS}$	40	V
Gate-Source Voltage		$V_{GS}$	$\pm 20$	V
Continuous Drain Current	TO-252	$I_D$	40	A
	PDFN5×6			
	PDFN3×3			
	SOP-8		12	A
Pulsed Drain Current (Note 1)		$I_{DM}$	80	A
Avalanche Energy		$E_{AS}$	16.9	mJ
Peak Diode Recovery dv/dt (Note 4)		dv/dt	2.8	V/ns
Power Dissipation	TO-252	$P_D$	40	W
	SOP-8		3.5	W
	PDFN3×3		30	W
	PDFN5×6		35	W
Operating Junction Temperature		$T_J$	-55 ~ +150	$^{\circ}\text{C}$
Storage Temperature		$T_{STG}$	-55 ~ +150	$^{\circ}\text{C}$

Notes: 1. Absolute maximum ratings are those values beyond which the device could be permanently damaged.

Absolute maximum ratings are stress ratings only and functional device operation is not implied.

2. Repetitive Rating: Pulse width limited by maximum junction temperature.

3.  $L=0.1\text{mH}$ ,  $I_{AS}=18.4\text{A}$ ,  $V_{DD}=20\text{V}$ ,  $R_G=25\ \Omega$ , Starting  $T_J = 25^{\circ}\text{C}$

4.  $I_{SD} \leq 30\text{A}$ ,  $di/dt \leq 200\text{A}/\mu\text{s}$ ,  $V_{DD} \leq BV_{DSS}$ , Starting  $T_J = 25^{\circ}\text{C}$

■ THERMAL DATA (NOTE 2)

PARAMETER		SYMBOL	RATINGS	UNIT
Junction to Ambient	TO-252	$\theta_{JA}$	50	$^{\circ}\text{C}/\text{W}$
	SOP-8		125	$^{\circ}\text{C}/\text{W}$
	PDFN3×3		75	$^{\circ}\text{C}/\text{W}$
	PDFN5×6		65	$^{\circ}\text{C}/\text{W}$
Junction to Case	TO-252	$\theta_{JC}$	3.125	$^{\circ}\text{C}/\text{W}$
	SOP-8		35.7	$^{\circ}\text{C}/\text{W}$
	PDFN3×3		4.17	$^{\circ}\text{C}/\text{W}$
	PDFN5×6		3.57	$^{\circ}\text{C}/\text{W}$

Notes: 1. Independent of Operating Temperature.

2. Device mounted on FR-4 substrate PC board, 2oz copper, with 1inch square copper plate.

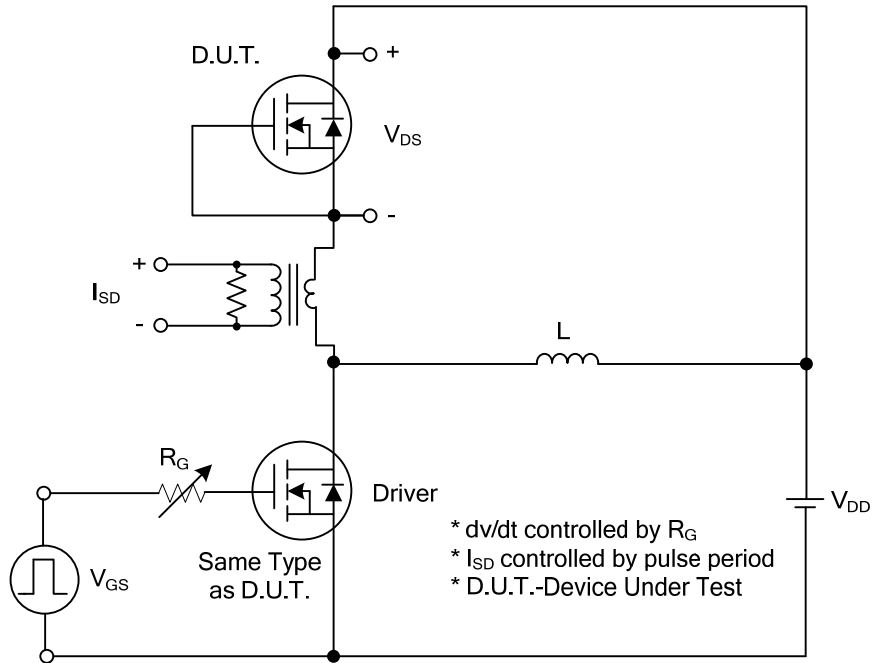
■ ELECTRICAL CHARACTERISTICS (T<sub>J</sub>=25°C, unless otherwise specified)

PARAMETER	SYMBOL	TEST CONDITIONS	MIN	TYP	MAX	UNIT
<b>OFF CHARACTERISTICS</b>						
Drain-Source Breakdown Voltage	BV <sub>DSS</sub>	I <sub>D</sub> =250μA, V <sub>GS</sub> =0V	40			V
Drain-Source Leakage Current	I <sub>DSS</sub>	V <sub>DS</sub> =40V, V <sub>GS</sub> =0V			10	μA
Gate- Source Leakage Current	I <sub>GSS</sub>	V <sub>GS</sub> =±20V			±100	nA
<b>ON CHARACTERISTICS</b>						
Gate Threshold Voltage	V <sub>GS(TH)</sub>	V <sub>DS</sub> =V <sub>GS</sub> , I <sub>D</sub> =250μA	1.0		3.0	V
Static Drain-Source On-State Resistance (Note 1)	R <sub>DS(ON)</sub>	V <sub>GS</sub> =10V, I <sub>D</sub> =20A			12	mΩ
		V <sub>GS</sub> =4.5V, I <sub>D</sub> =10A			16	mΩ
<b>DYNAMIC PARAMETERS</b>						
Input Capacitance	C <sub>ISS</sub>	V <sub>GS</sub> =0V, V <sub>DS</sub> =25V, f=1.0MHz		1230		pF
Output Capacitance	C <sub>OSS</sub>			144		pF
Reverse Transfer Capacitance	C <sub>RSS</sub>			122		pF
<b>SWITCHING PARAMETERS (Note 2)</b>						
Total Gate Charge	Q <sub>G</sub>	V <sub>DS</sub> =20V, V <sub>GS</sub> =10V, I <sub>D</sub> =40A, I <sub>G</sub> =1mA (Note1,2)		34.5		nC
Gate to Source Charge	Q <sub>GS</sub>			5.3		nC
Gate to Drain Charge	Q <sub>GD</sub>			8.4		nC
Turn-ON Delay Time	t <sub>D(ON)</sub>	V <sub>DS</sub> =20V, V <sub>GS</sub> =10V, I <sub>D</sub> =40A, R <sub>G</sub> =3Ω (Note1,2)		7		ns
Rise Time	t <sub>R</sub>			17		ns
Turn-OFF Delay Time	t <sub>D(OFF)</sub>			30		ns
Fall-Time	t <sub>F</sub>			20		ns
<b>SOURCE- DRAIN DIODE RATINGS AND CHARACTERISTICS</b>						
Maximum Continuous Drain-Source Diode Forward Current	I <sub>S</sub>				40	A
Maximum Pulsed Drain-Source Diode Forward Current(Note 1)	I <sub>SM</sub>				80	A
Drain-Source Diode Forward Voltage (Note 1)	V <sub>SD</sub>	I <sub>F</sub> =40A, V <sub>GS</sub> =0V			1.3	V

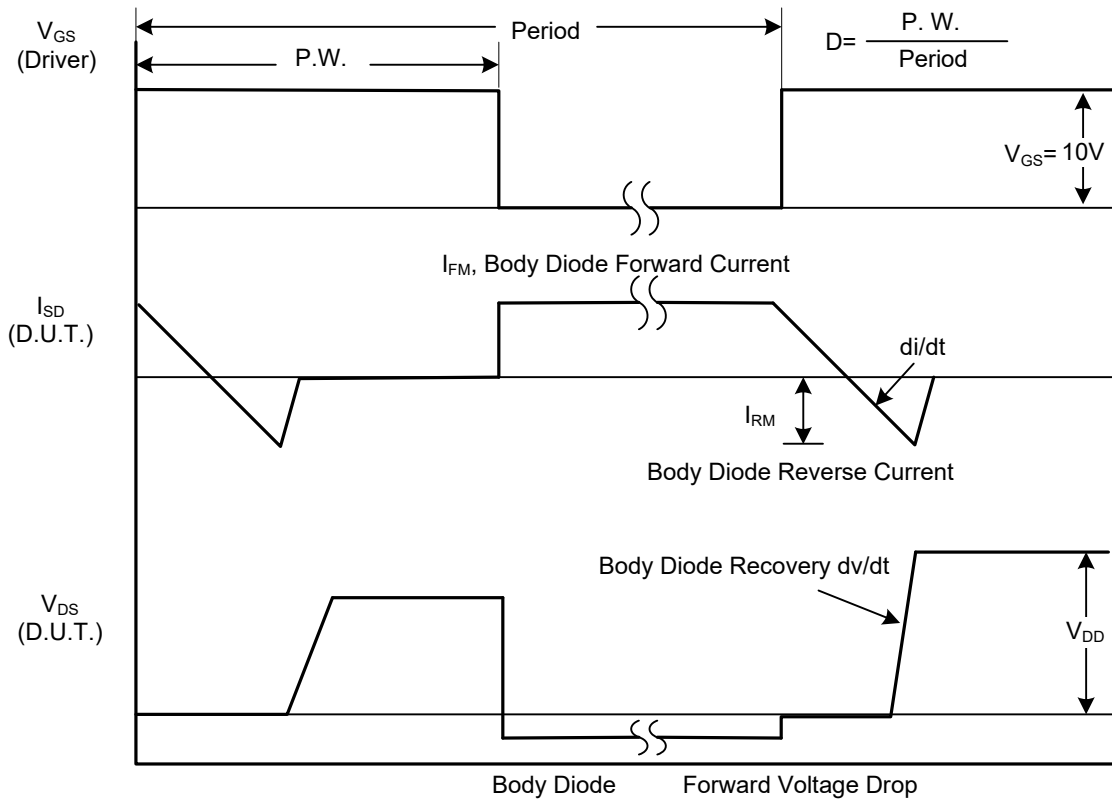
Notes: 1. Pulse Test: Pulse width ≤ 300μs, Duty cycle ≤ 2%.

2. Essentially independent of operating temperature.

## TEST CIRCUITS AND WAVEFORMS

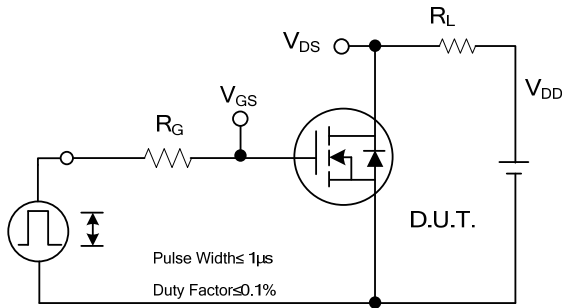


**Peak Diode Recovery  $dv/dt$  Test Circuit**

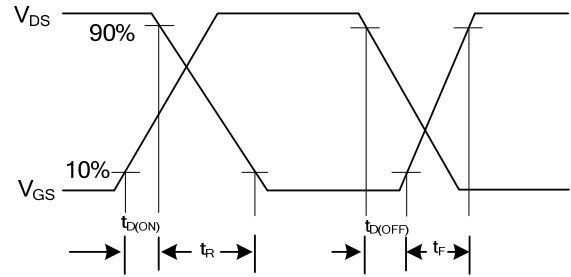


**Peak Diode Recovery  $dv/dt$  Waveforms**

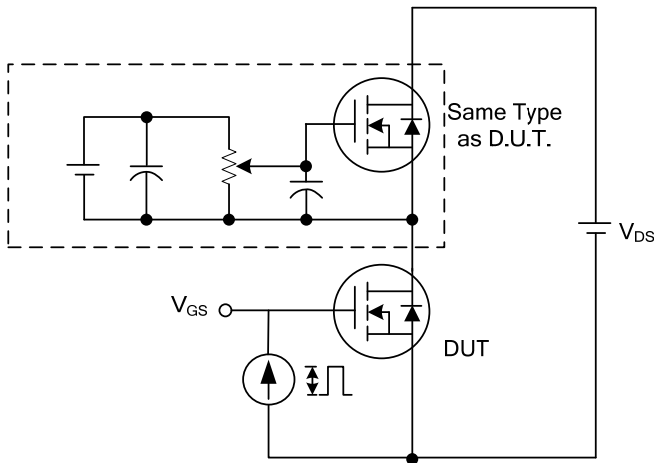
## TEST CIRCUITS AND WAVEFORMS



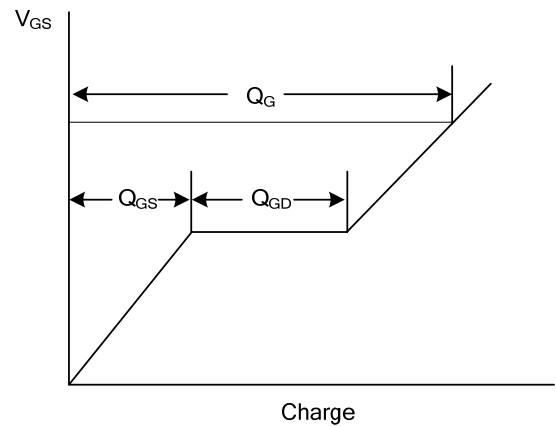
**Switching Test Circuit**



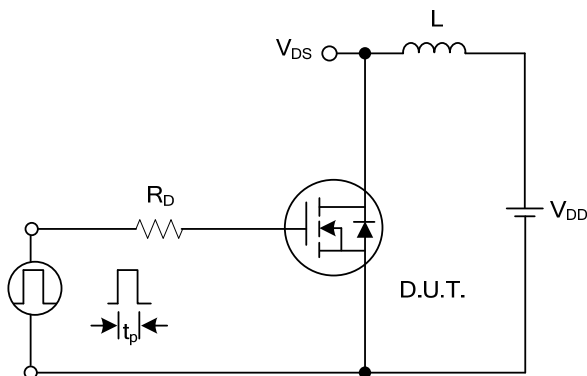
**Switching Waveforms**



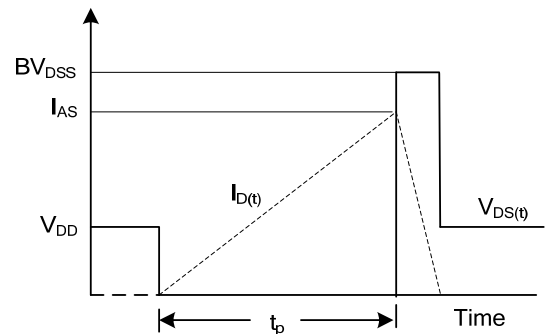
**Gate Charge Test Circuit**



**Gate Charge Waveform**

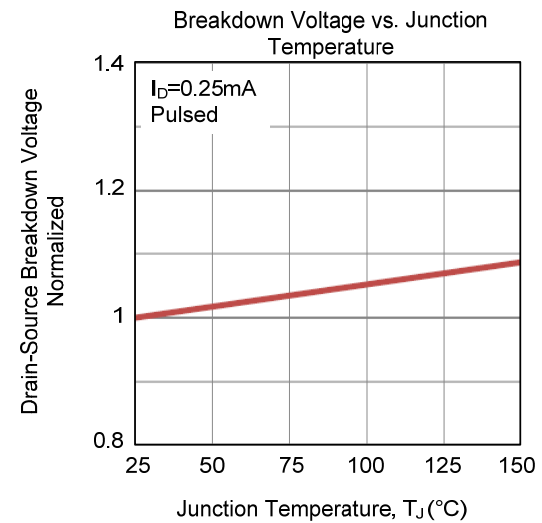
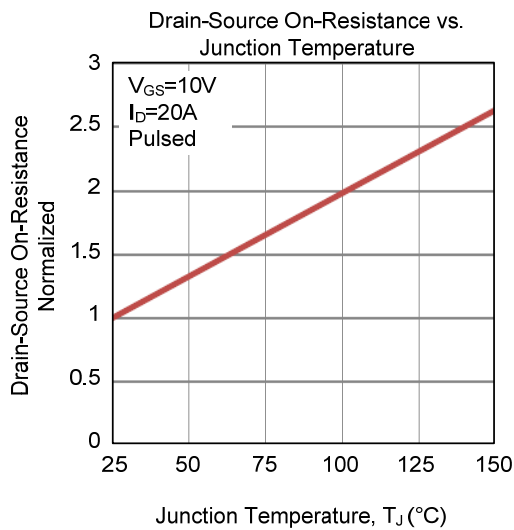
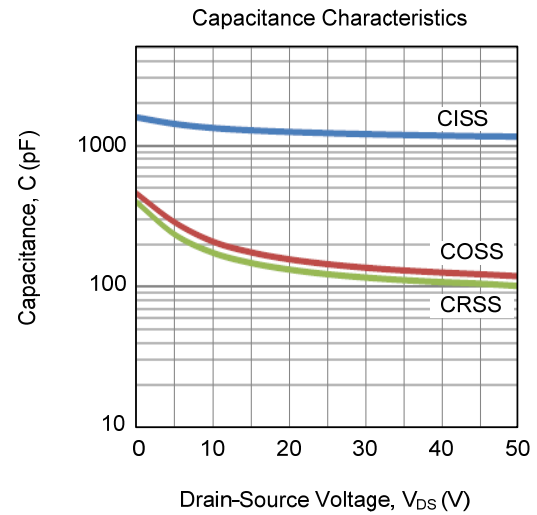
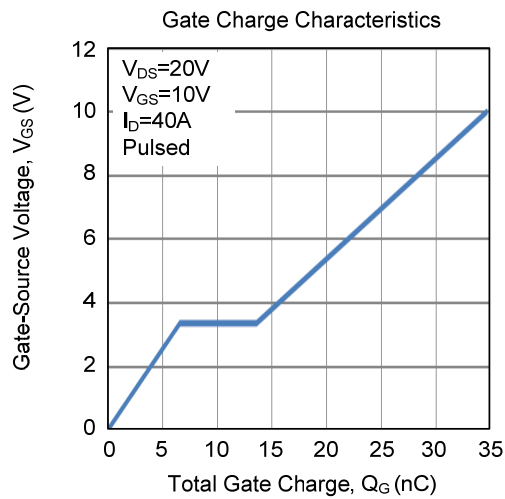
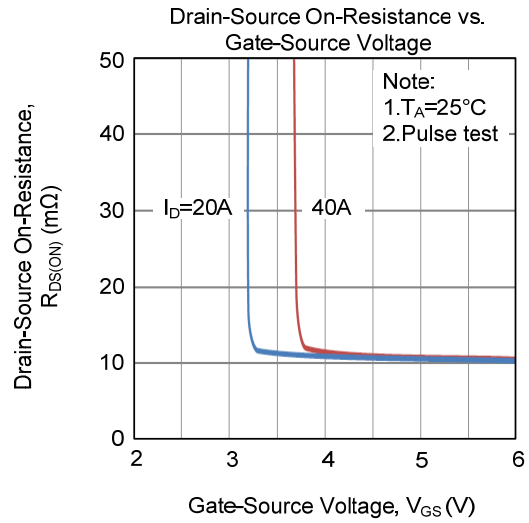
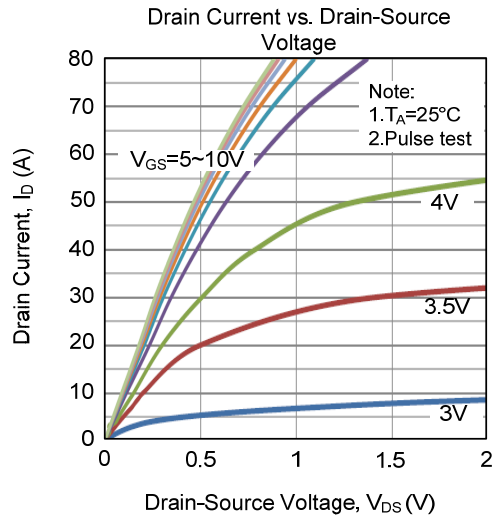


**Unclamped Inductive Switching Test Circuit**

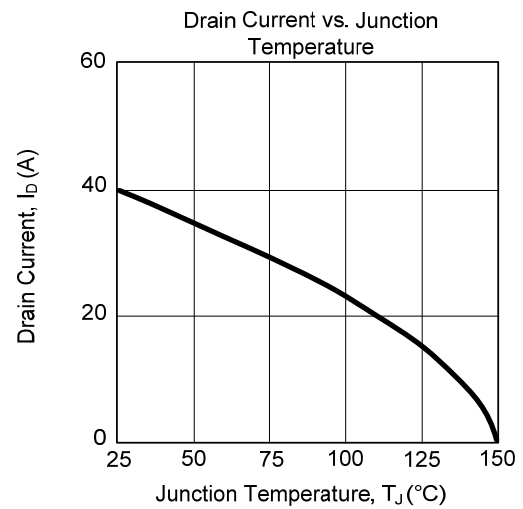
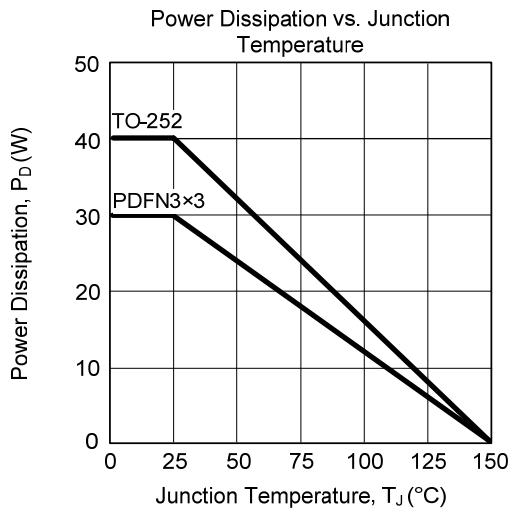
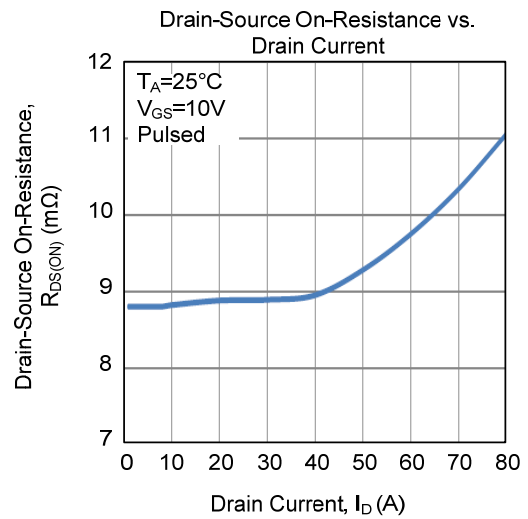
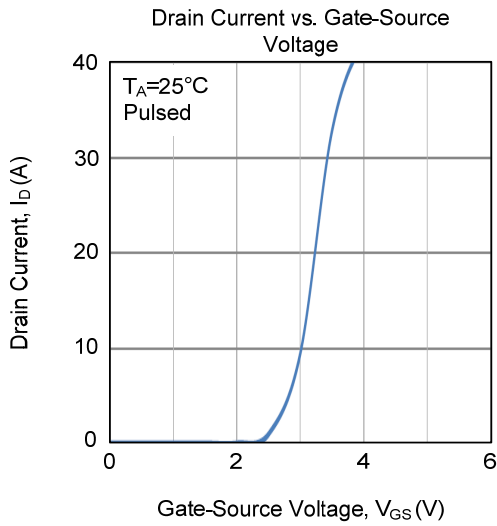
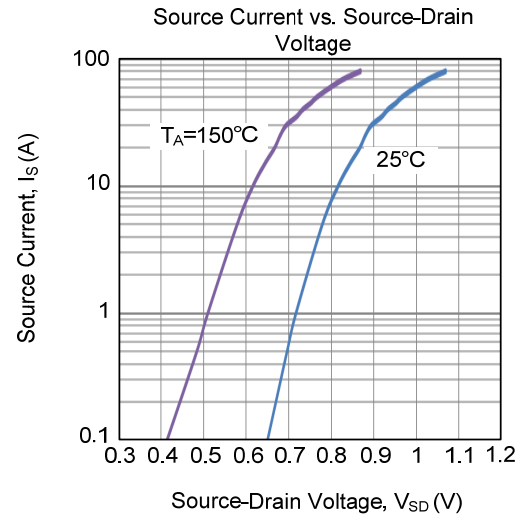
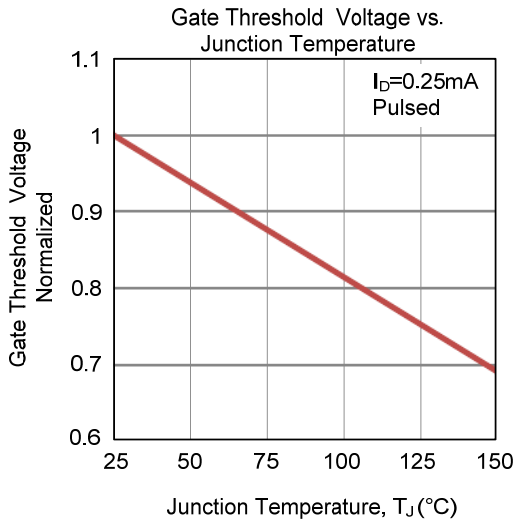


**Unclamped Inductive Switching Waveforms**

## TYPICAL CHARACTERISTICS

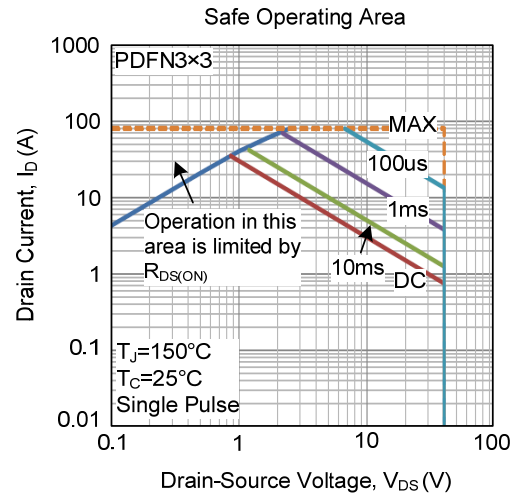
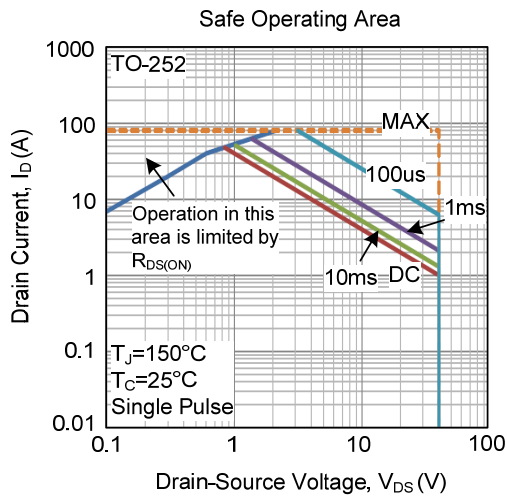


## TYPICAL CHARACTERISTICS (Cont.)





### ■ TYPICAL CHARACTERISTICS (Cont.)



UTC assumes no responsibility for equipment failures that result from using products at values that exceed, even momentarily, rated values (such as maximum ratings, operating condition ranges, or other parameters) listed in products specifications of any and all UTC products described or contained herein. UTC products are not designed for use in life support appliances, devices or systems where malfunction of these products can be reasonably expected to result in personal injury. Reproduction in whole or in part is prohibited without the prior written consent of the copyright owner. UTC reserves the right to make changes to information published in this document, including without limitation specifications and product descriptions, at any time and without notice. This document supersedes and replaces all information supplied prior to the publication hereof.