



UM2752

Preliminary

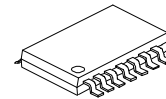
LINEAR INTEGRATED CIRCUIT

2 INPUT/1 OUTPUT STEREO AUDIO SELECTOR

DESCRIPTION

The UTC **UM2752** is a Stereo Audio Selector with 2 Inputs and 1 Output. Based upon the inner OP-AMP Switch technology, the UTC **UM2752** features higher Channel Separation, lower Output Noise and lower Distortion than the common Multiplexers or Analogue Switches.

The UTC **UM2752** can be applied to many kinds of audio devices, such as Car Stereo, TV, Mini music center and so on.



TSSOP-14

FEATURES

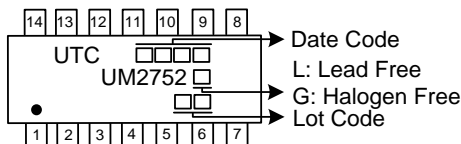
- * Dual Channel for Stereo Use
- * 4.7~10V Operating Voltage
- * 2 Input /1 Output Audio Selectors
- * Bipolar Technology
- * Low Output Noise: -114dBV typ.
- * Low Distortion: 0.0009% typ.

ORDERING INFORMATION

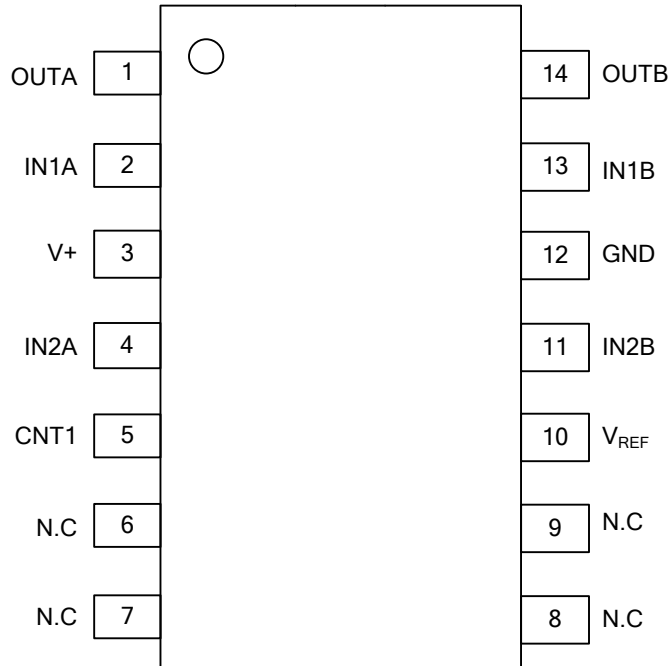
Ordering Number		Package	Packing
Lead Free	Halogen Free		
UM2752L-P14-R	UM2752G- P14-R	TSSOP-14	Tape Reel
UM2752L-P14-T	UM2752G- P14-T	TSSOP-14	Tube

<p>UM2752G- P14-R</p> <p>(1) Packing Type (2) Package Type (3) Green Package</p>	<p>(1) R: Tape Reel, T: Tube (2) P14: TSSOP-14 (3) G: Halogen Free and Lead Free, L: Lead Free</p>
--	--

MARKING



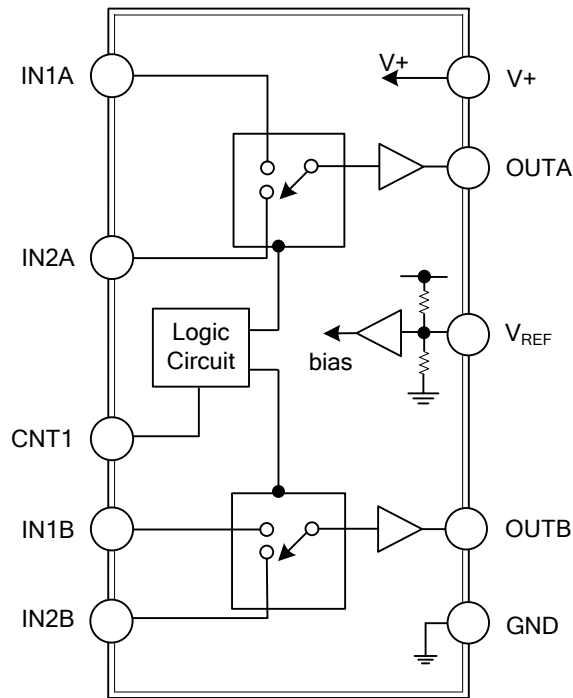
■ PIN CONFIGURATION



■ PIN DESCRIPTION

PIN NO.	PIN NAME	DESCRIPTION
1	OUTA	Ach Output
2	IN1A	Ach Input 1
3	V+	Supply Voltage
4	IN2A	Ach Input 2
5	CNT1	Select Control 1
6-9	N.C	No Connection
10	V _{REF}	Reference Voltage
11	IN2B	Bch Input 2
12	GND	Ground
13	IN1B	Bch Input 1
14	OUTB	Bch Output

■ BLOCK DIAGRAM



■ ABSOLUTE MAXIMUM RATING (T_A=25°C, unless otherwise specified)

PARAMETER	SYMBOL	RATINGS	UNIT
Supply Voltage	V+	12	V
Power Dissipation	P _D	450 (Note 2)	mW
		570 (Note 3)	
Operating Temperature	T _{OPR}	-40 ~ +85	°C
Storage Temperature	T _{STR}	-40 ~ +150	°C

Notes: 1. Absolute maximum ratings are those values beyond which the device could be permanently damaged.

Absolute maximum ratings are stress ratings only and functional device operation is not implied.

2. EIA/JEDEC STANDARD Test board (76.2x114.3x1.6mm, 2layer, FR-4) mounting

3. EIA/JEDEC STANDARD Test board (76.2x114.3x1.6mm, 4layer, FR-4) mounting

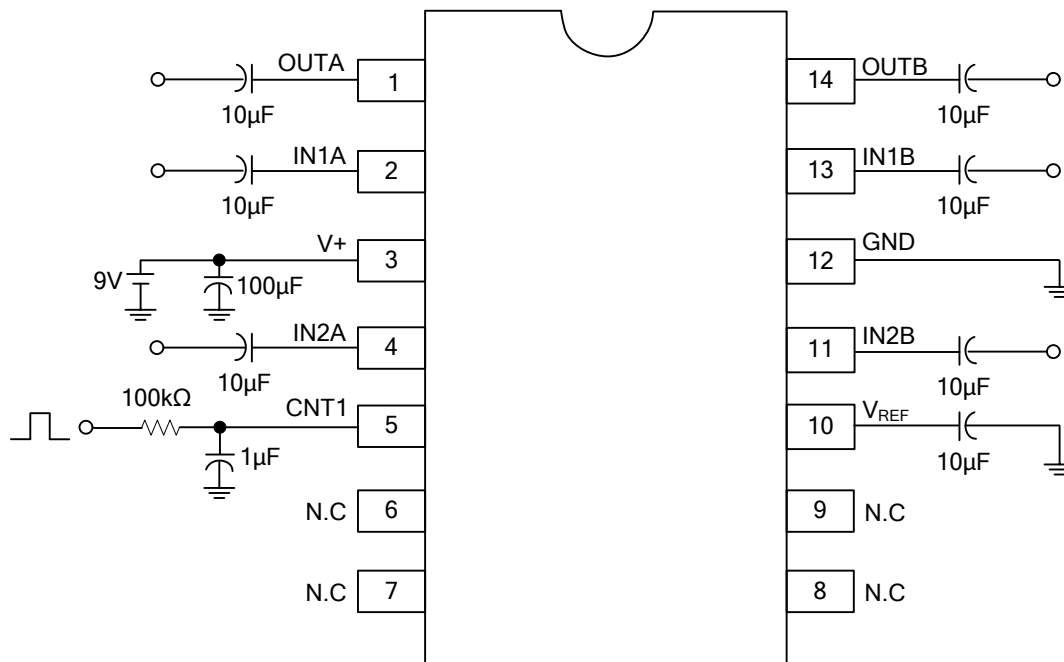
■ ELECTRICAL CHARACTERISTICS (T_A=25°C, V⁺=9V, unless otherwise specified)

PARAMETER	SYMBOL	TEST CONDITIONS	MIN	TYP	MAX	UNIT
Operating Voltage	V ⁺		4.7	9.0	10.0	V
Supply Current	I _{CC}	No Signal		10	15	mA
Reference Voltage	V _{REF}			4.5		V
Voltage Gain	G _V	V _{IN} =1Vrms, f=1kHz	-1	0	1	dB
Total Harmonic Distortion	THD+N	V _{IN} =1Vrms, f=1kHz		0.0009	0.03	%
Output Noise Voltage	V _{NO}	A-Weighted		-114	-100	dBV
				2	10	μV _{RMS}
Maximum Output Voltage	V _{OM}	f=1KHz, THD=1%	6	8		dBV
			2.0	2.5		V _{RMS}
Cross Talk	CT	V _{IN} =1Vrms, f=1kHz, A-Weighted	70	100		dB
Channel Separation	CS	V _{IN} =1Vrms, f=1kHz, A-Weighted	80	110		dB
Switch-ON Voltage Level	V _{CH}		2.4			V
Switch-OFF Voltage Level	V _{CL}				0.5	V
Input Impedance	R _{IN}			100		kΩ
Output Impedance	R _{OUT}			45		Ω

■ SWITCH CONTROL LOGIC

CNT1	INPUT SELECTOR Ach/Bch
L	IN1
H	IN2

■ TYPICAL APPLICATION CIRCUIT



UTC assumes no responsibility for equipment failures that result from using products at values that exceed, even momentarily, rated values (such as maximum ratings, operating condition ranges, or other parameters) listed in products specifications of any and all UTC products described or contained herein. UTC products are not designed for use in life support appliances, devices or systems where malfunction of these products can be reasonably expected to result in personal injury. Reproduction in whole or in part is prohibited without the prior written consent of the copyright owner. UTC reserves the right to make changes to information published in this document, including without limitation specifications and product descriptions, at any time and without notice. This document supersedes and replaces all information supplied prior to the publication hereof.