



LMV331

LINEAR INTEGRATED CIRCUIT

SINGLE GENERAL PURPOSE, LOW VOLTAGE, SMALL PACK COMPARATORS

DESCRIPTION

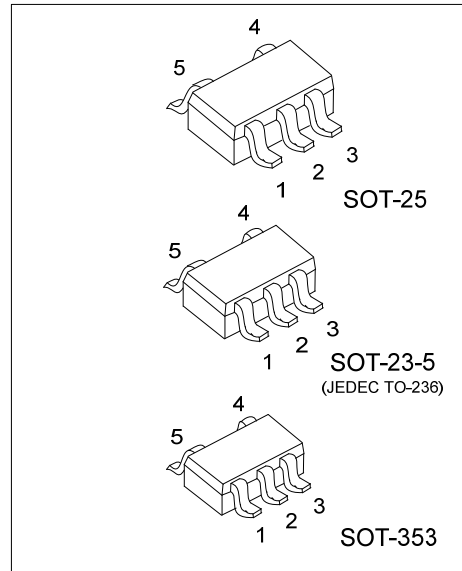
The UTC **LMV331** is the single version, which is available in space saving SOT23-5 packages. The UTC **LMV331** is the most cost-effective solution where space, low voltage, low power and price are the primary specification in circuit design for portable consumer products. The UTC **LMV331** have bipolar input and output stages for improved noise performance.

FEATURES

- * Low operating voltage 2.7-5V.
- * Low supply current 60µA
- * Input common mode voltage range includes ground
- * Low output saturation voltage 0.2V

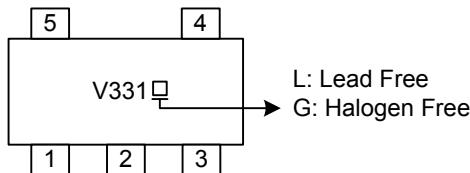
ORDERING INFORMATION

Ordering Number		Package	Packing
LMV331L-AE5-R	LMV331G-AE5-R	SOT-23-5	Tape Reel
LMV331L-AF5-R	LMV331G-AF5-R	SOT-25	Tape Reel
LMV331L-AL5-R	LMV331G-AL5-R	SOT-353	Tape Reel

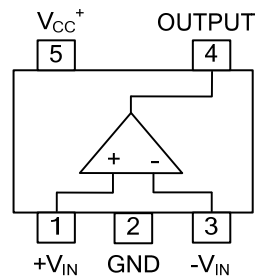


<p>LMV331G-AE5-R</p> <p>(1) Packing Type (2) Package Type (3) Green Package</p>	<p>(1) R: Tape Reel (2) AE5: SOT-23-5, AF5: SOT-25, AL5: SOT-353 (3) G: Halogen Free and Lead Free, L: Lead Free</p>
---	--

MARKING



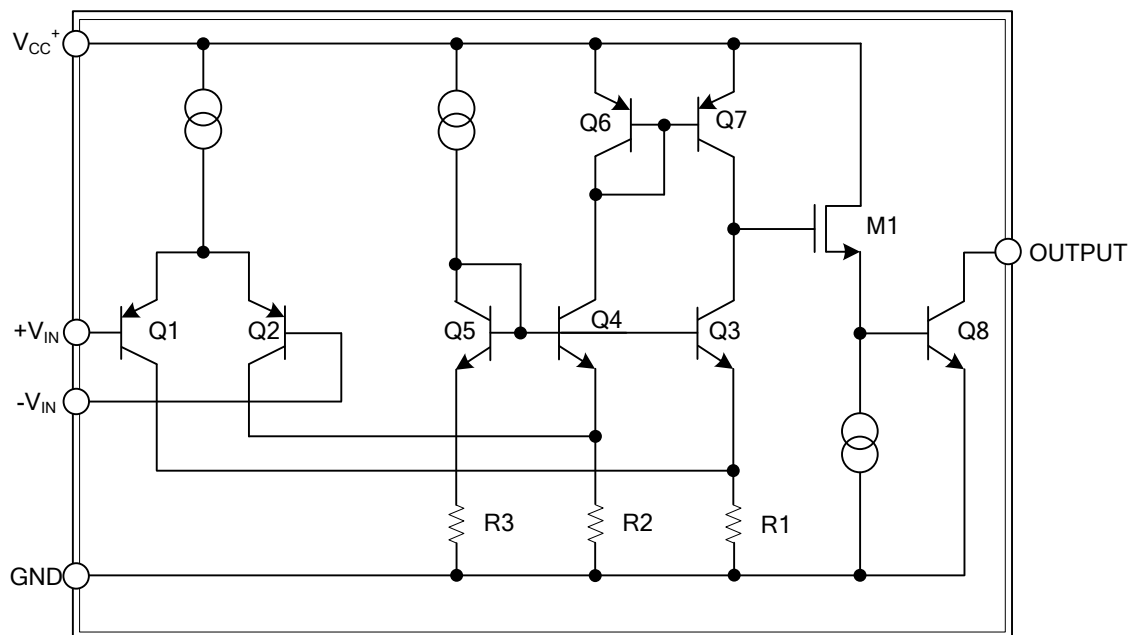
■ PIN CONFIGURATION



■ PIN DESCRIPTION

PIN NO.	PIN NAME	DESCRIPTION
1	+V _{IN}	Non-inverting input
2	GND	Ground
3	-V _{IN}	inverting input
4	OUTPUT	Output
5	V _{CC} ⁺	Power supply

■ BLOCK DIAGRAM



■ ABSOLUTE MAXIMUM RATING

PARAMETER	SYMBOL	RATINGS	UNIT
Supply Voltage	V_{CC}	5.5	V
Differential Input Voltage	$V_{IN(DIFF)}$	$\pm V_{CC}$	V
Voltage on Any Pin (Referred to GND pin)		5.5	V
Junction Temperature	T_J	+150	°C
Operating Temperature	T_{OPR}	-40 ~ +125	°C
Storage Temperature	T_{STG}	-65 ~ +150	°C

Note: Absolute maximum ratings are those values beyond which the device could be permanently damaged. Absolute maximum ratings are stress ratings only and functional device operation is not implied.

■ THERMAL CHARACTERISTICS

PARAMETER	SYMBOL	RATINGS	UNIT
Junction to Ambient	SOT-23-5	265	°C/W
	SOT-25	230	°C/W
	SOT-353	350	°C/W

■ 2.7V DC ELECTRICAL CHARACTERISTICS

(All limits guaranteed for $T_J=25^\circ\text{C}$, $V_{CC}=2.7\text{V}$, unless otherwise specified.)

PARAMETER	SYMBOL	TEST CONDITIONS	MIN	TYP (Note 2)	MAX (Note 3)	UNIT
Input Offset Voltage	V_{OS}			1.7	7	mV
Input Offset Voltage Average Drift	TCV_{OS}			5		$\mu\text{V}/^\circ\text{C}$
Input Bias Current	I_B			10	250	nA
Input Offset Current	I_{OS}			5	50	nA
Input Voltage Range	V_{CM}			-0.1		V
				2.0		V
Saturation Voltage	V_{SAT}	$I_{sink} \leq 1\text{mA}$		200		mV
Output Sink Current	I_O	$V_O \leq 1.5\text{V}$	5	23		mA
Supply Current	I_S			40	100	μA
Output Leakage Current				0.003	1	μA

■ 2.7V AC ELECTRICAL CHARACTERISTICS ($T_J=25^\circ\text{C}$, $V_{CC}=2.7\text{V}$, $R_L=5.1\text{k}\Omega$)

PARAMETER	SYMBOL	TEST CONDITIONS	MIN	TYP (Note 2)	MAX	UNIT
Propagation Delay (High to Low)	t_{PHL}	Input Overdrive=10mV		15		μs
		Input Overdrive=100mV		3.5		μs
Propagation Delay (Low to High)	t_{PLH}	Input Overdrive=10mV		1		μs
		Input Overdrive=100mV		0.5		μs

■ 5V DC ELECTRICAL CHARACTERISTICS

(All limits guaranteed for $T_J=25^\circ\text{C}$, $V_{CC}=5\text{V}$, unless otherwise specified.)

PARAMETER	SYMBOL	TEST CONDITIONS	MIN	TYP (Note 2)	MAX (Note 3)	UNIT
Input Offset Voltage	V_{OS}			1.7	7	mV
Input Offset Voltage Average Drift	TCV_{OS}			5		$\mu\text{V}/^\circ\text{C}$
Input Bias Current	I_B			25	250	nA
Input Offset Current	I_{OS}			2	50	nA
Input Voltage Range	V_{CM}			-0.1		V
				4.2		V
Voltage Gain	A_V		20	50		V/mV
Saturation Voltage	V_{SAT}	$I_{sink} \leq 4\text{mA}$		200	400	mV
Output Sink Current	I_O	$V_O \leq 1.5\text{V}$	10	84		mA
Supply Current	I_S			60	120	μA
Output Leakage Current				0.003	1	μA

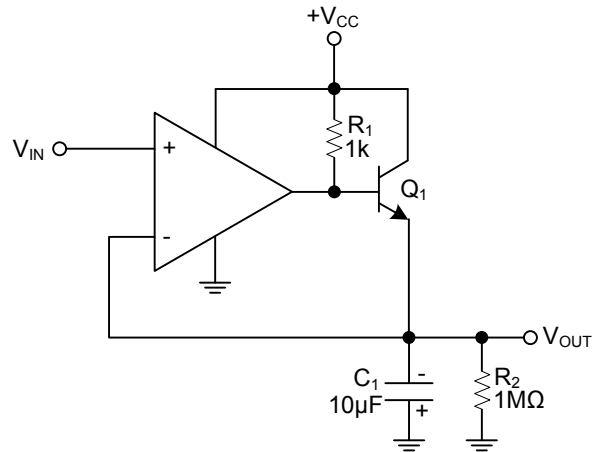
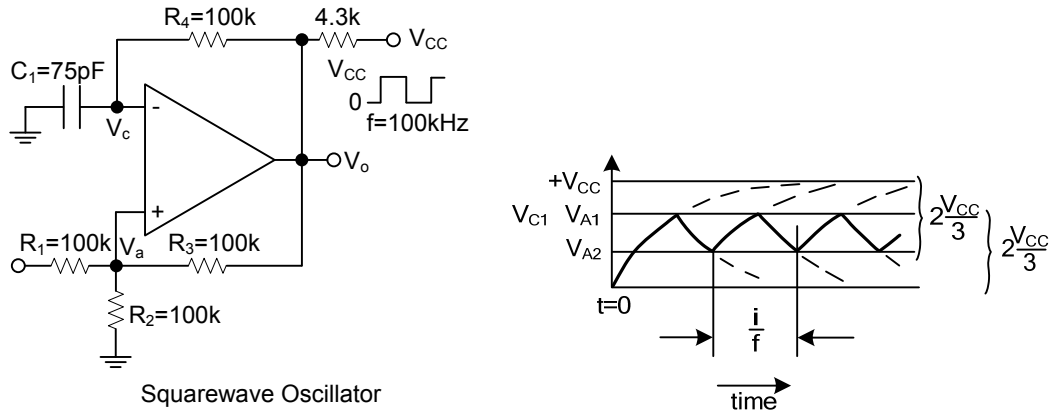
■ 5V AC ELECTRICAL CHARACTERISTICS ($T_J=25^\circ\text{C}$, $V_{CC}=5\text{V}$, $R_L=5.1\text{k}\Omega$, $V^-=-0\text{V}$.)

PARAMETER	SYMBOL	TEST CONDITIONS	MIN	TYP (Note 2)	MAX	UNIT
Propagation Delay (High to Low)	t_{PHL}	Input Overdrive=10mV		12		μs
		Input Overdrive=100mV		3		μs
Propagation Delay (Low to High)	t_{PLH}	Input Overdrive=10mV		1		μs
		Input Overdrive=100mV		0.5		μs

Notes: 1. Typical Values represent the most likely parametric norm.

2. All limits are guaranteed by testing or statistical analysis.

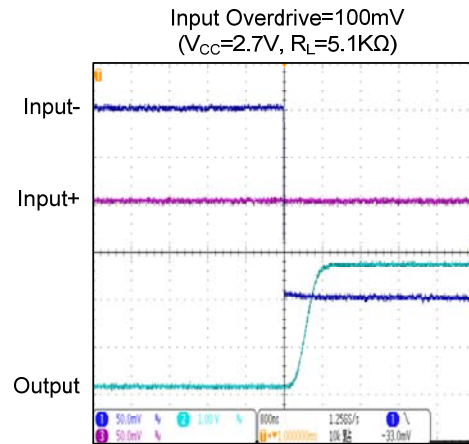
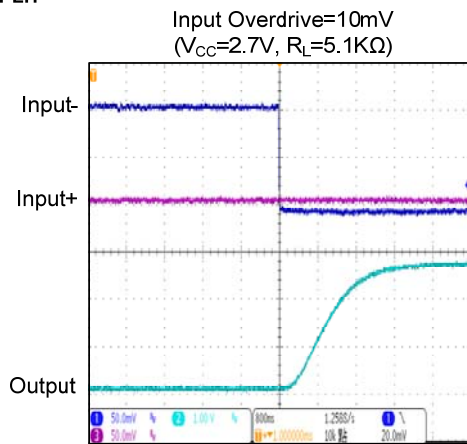
■ TYPICAL APPLICATION CIRCUIT



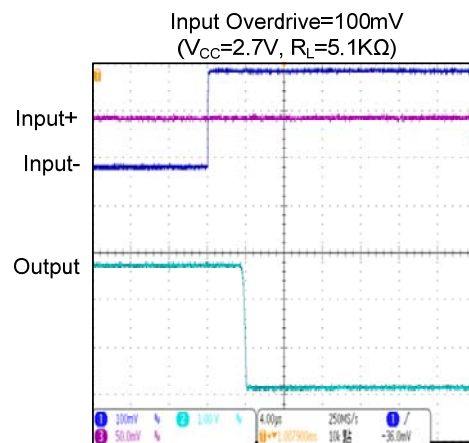
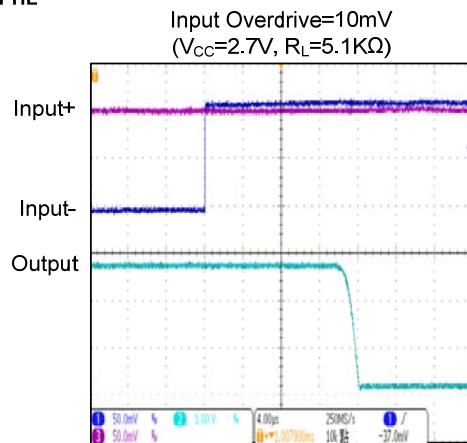
Positive Peak Detector

TYPICAL CHARACTERISTICS

t_{PLH}

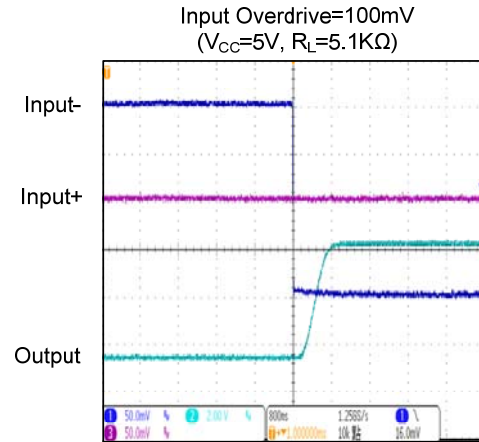
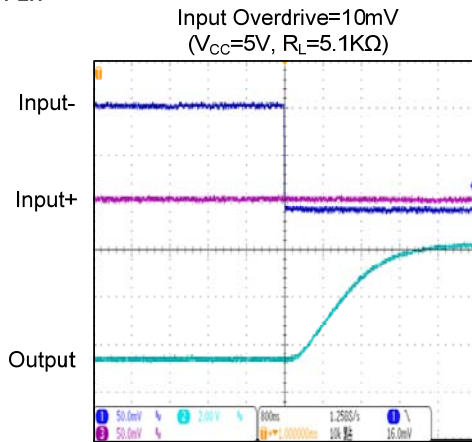


t_{PHL}

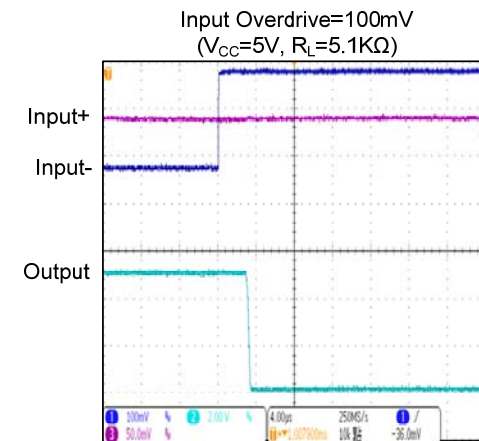
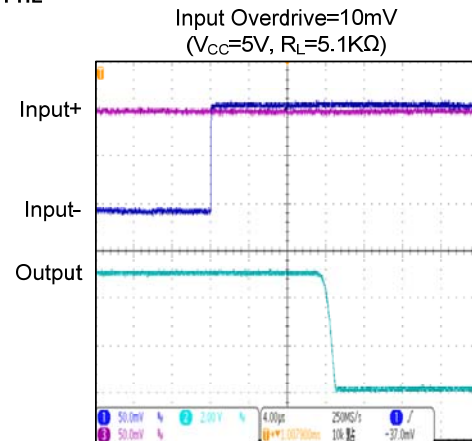


■ TYPICAL CHARACTERISTICS (Cont.)

t_{PLH}



t_{PHL}



UTC assumes no responsibility for equipment failures that result from using products at values that exceed, even momentarily, rated values (such as maximum ratings, operating condition ranges, or other parameters) listed in products specifications of any and all UTC products described or contained herein. UTC products are not designed for use in life support appliances, devices or systems where malfunction of these products can be reasonably expected to result in personal injury. Reproduction in whole or in part is prohibited without the prior written consent of the copyright owner. UTC reserves the right to make changes to information published in this document, including without limitation specifications and product descriptions, at any time and without notice. This document supersedes and replaces all information supplied prior to the publication hereof.