



TDA2822H

LINEAR INTEGRATED CIRCUIT

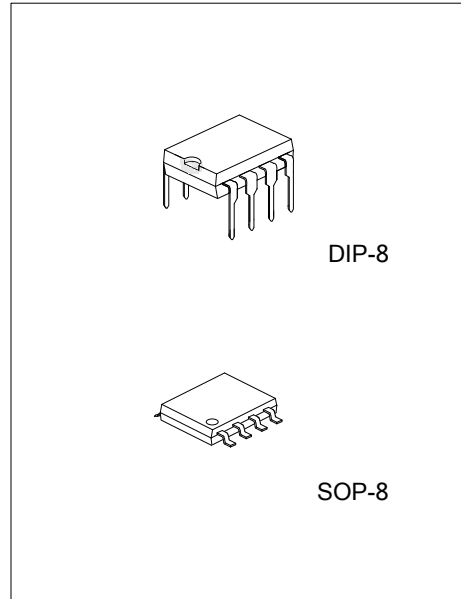
DUAL LOW VOLTAGE POWER AMPLIFIER

DESCRIPTION

The UTC **TDA2822H** is a monolithic integrated audio amplifier in a 8-Pin plastic dual in line package. It is designed for portable cassette players and radios.

FEATURES

- *Wide operating supply voltage: $V_{CC}=1.8V\sim 6V$.
- *Low crossover distortion.
- *Low quiescent circuit current.
- *Bridge/stereo configuration.



ORDERING INFORMATION

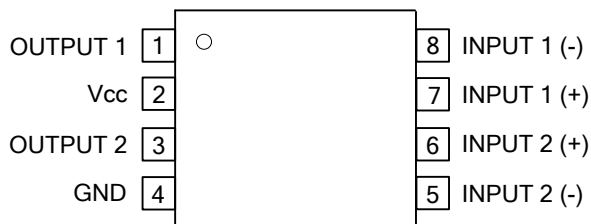
Ordering Number		Package	Packing
Lead Free	Halogen Free		
TDA2822HL-D08-T	TDA2822HG-D08-T	DIP-8	Tube
TDA2822HL-S08-R	TDA2822HG-S08-R	SOP-8	Tape Reel

<p>TDA2822HG-D08-T</p> <p>(1) Packing Type</p> <p>(2) Package Type</p> <p>(3) Green Package</p>	<p>(1) T: Tube, R: Tape Reel</p> <p>(2) D08: DIP-8, S08: SOP-8</p> <p>(3) G: Halogen Free and Lead Free, L: Lead Free</p>
---	---

MARKING

DIP-8	SOP-8
<p>8 7 6 5 → Date Code</p> <p>UTC □□□□</p> <p>L: Lead Free</p> <p>G: Halogen Free</p> <p>□□ → Lot Code</p> <p>1 2 3 4</p>	<p>8 7 6 5 → Date Code</p> <p>UTC □□□□</p> <p>L: Lead Free</p> <p>G: Halogen Free</p> <p>□□ → Lot Code</p> <p>1 2 3 4</p>

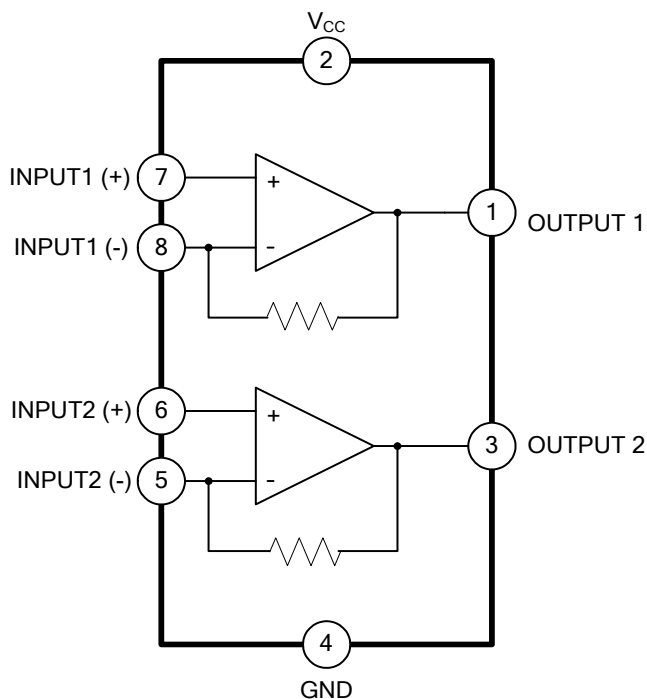
■ PIN CONFIGURATION



■ PIN DESCRIPTION

PIN NO	PIN NAME	DESCRIPTION
1	OUTPUT 1	Output of Channel 1
2	V _{cc}	Supply Voltage
3	OUTPUT 2	Output of Channel 2
4	GND	Ground.
5	INPUT 2(-)	Inverting Input of Channel 2
6	INPUT 2(+)	Non-Inverting Input of Channel 2
7	INPUT 1 (+)	Non-Inverting Input of Channel 1
8	INPUT 1 (-)	Inverting Input of Channel 1

■ BLOCK DIAGRAM



■ ABSOLUTE MAXIMUM RATINGS ($T_A=25^{\circ}\text{C}$, unless otherwise specified)

PARAMETER		SYMBOL	RATINGS	UNIT
Supply Voltage		V_{CC}	15	V
Output Peak Current		$I_{O(\text{peak})}$	1	A
Power Dissipation	$T_A=50^{\circ}\text{C}$	P_D	1.0	W
	$T_C=50^{\circ}\text{C}$		1.4	W
	$T_A=50^{\circ}\text{C}$		0.5	W
Operating Temperature		T_{OPR}	-20~+85	$^{\circ}\text{C}$
Storage Temperature		T_{STG}	-40 ~ +150	$^{\circ}\text{C}$

■ ELECTRICAL CHARACTERISTICS ($T_A=25^{\circ}\text{C}$, $V_{CC}=4.5\text{V}$, BTL parameter, unless otherwise specified)

PARAMETER	SYMBOL	TEST CONDITIONS	MIN	TYP	MAX	UNIT		
Operating Supply Voltage	V_{CC}		1.8		6	V		
Quiescent Circuit Current	I_{CCQ}	$R_L=\infty$		9		mA		
Output Offset Voltage	V_{OS}	$R_L=8\Omega$			± 50	mV		
Input Base Current	I_B			100		nA		
Output Power	P_O	$f=1\text{kHz}$, THD=10%	$R_L=32\Omega$	$V_{CC}=6\text{V}$	300	320	mW	
				$V_{CC}=4.5\text{V}$		200		
				$V_{CC}=3\text{V}$	50	65		
				$V_{CC}=2\text{V}$		8		
			$R_L=16\Omega$	$V_{CC}=6\text{V}$		600		
				$V_{CC}=3\text{V}$		120		
				$V_{CC}=4.5\text{V}$		700		
				$V_{CC}=3\text{V}$		220		
$R_L=8\Omega$	$V_{CC}=4.5\text{V}$							
	$V_{CC}=3\text{V}$	200	350					
Total Harmonic Distortion	THD	$P_O=0.5\text{W}$, $R_L=8\Omega$, $P_O=1\text{kHz}$		0.2		%		
Closed Loop Voltage Gain	A_{VF}	$f=1\text{kHz}$		39		dB		
Input Resistance	Z_{IN}	$f=1\text{kHz}$	100			k Ω		
Total Input Noise	e_N	$R_S=10\text{k}\Omega$ $B=22\text{Hz} \sim 22\text{KHz}$		3		μV		
Supply Voltage Rejection	SVR	$f=100\text{Hz}$		40		dB		
Power Bandwidth	BWp	$R_L=8\Omega$, $P_O=1\text{W}$		120		kHz		

APPLICATION CIRCUIT

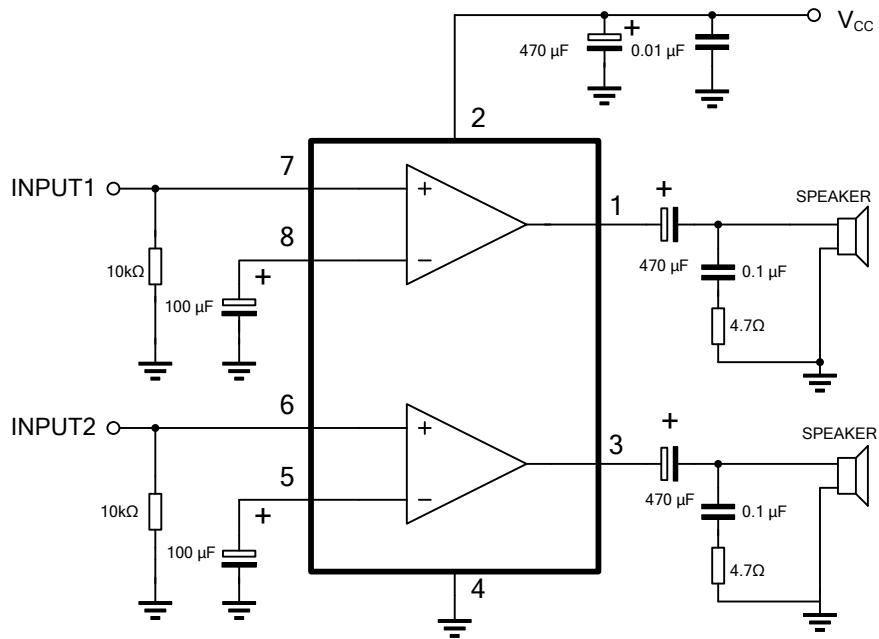


Fig 1. STEREO

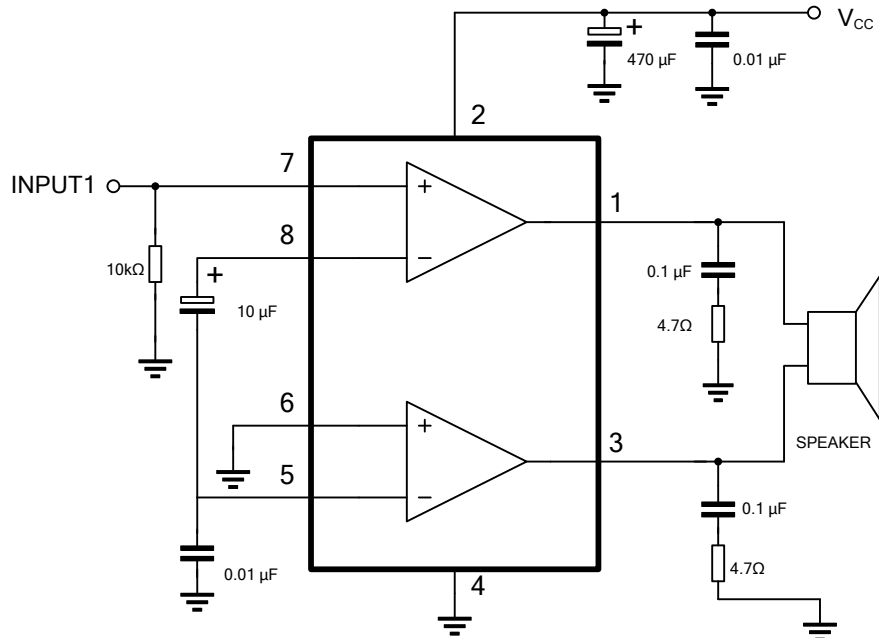


Fig 2. BRIDGE

UTC assumes no responsibility for equipment failures that result from using products at values that exceed, even momentarily, rated values (such as maximum ratings, operating condition ranges, or other parameters) listed in products specifications of any and all UTC products described or contained herein. UTC products are not designed for use in life support appliances, devices or systems where malfunction of these products can be reasonably expected to result in personal injury. Reproduction in whole or in part is prohibited without the prior written consent of the copyright owner. UTC reserves the right to make changes to information published in this document, including without limitation specifications and product descriptions, at any time and without notice. This document supersedes and replaces all information supplied prior to the publication hereof.