



## BTB320A

Preliminary

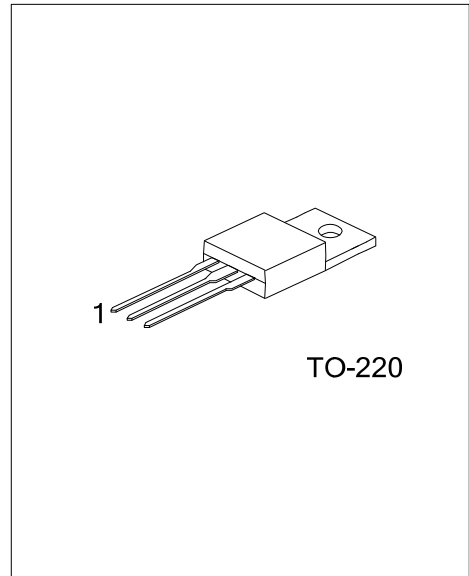
TRIAC

### 20A TRIACS

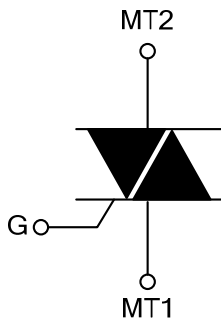
#### DESCRIPTION

The UTC **BTB320A** is a 20A triacs which can be operated in 3 quadrants, it uses UTC's advanced technology to provide customers with high commutation performances.

The UTC **BTB320A** is suitable for inductive load switching operations, also can be used in ON/OFF function applications such as induction motor starting circuits, heating regulation, static relays etc.



#### SYMBOL



#### ORDERING INFORMATION

Ordering Number		Package	Pin Assignment			Packing
Lead Free	Halogen Free		1	2	3	
BTB320AL-x-xx-TA3-T	BTB320AG-x-xx-TA3-T	TO-220	MT1	MT2	G	Tube

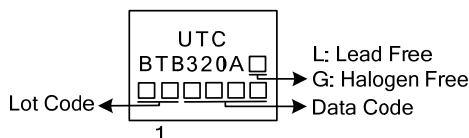
Note: Pin Assignment: MT1: MT1 MT2: MT2 G: Gate

BTB320AG-x-xx-TA3-T	(1)Packing Type (2)Package Type (3)Sensitivity and type (4) $V_{DRM}$ , $V_{RRM}$ (5)Green Package	(1) T: Tube (2) TA3: TO-220 (3) refer to SENSITIVITY AND TYPE (4) 6: 600V, 7: 700V (5) G: Halogen Free and Lead Free, L: Lead Free
---------------------	----------------------------------------------------------------------------------------------------------------	------------------------------------------------------------------------------------------------------------------------------------------------

#### SENSITIVITY AND TYPE

PART NUMBER	Repetitive peak off-state voltage ( $V_{DRM}$ , $V_{RRM}$ )		SENSITIVITY	TYPE
	600V	700V		
BW		⊙	50mA	SNUBBERLESS
CW	⊙	⊙	35mA	SNUBBERLESS

#### MARKING



### ■ ABSOLUTE MAXIMUM RATINGS

PARAMETER		SYMBOL	RATINGS	UNIT		
RMS On-State Current (Full Sine Wave)		$T_C=70^\circ\text{C}$	$I_{T(RMS)}$	20	A	
Non Repetitive Surge Peak On-State Current (Full Cycle, $T_J$ initial= $25^\circ\text{C}$ )	F=50 Hz	$t=10\text{ms}$	$I_{TSM}$	210	A	
	F=60 Hz	$t=8.3\text{ms}$		200	A	
$I^2t$ Value for Fusing		$t_p=10\text{ms}$	$I^2t$	200	$\text{A}^2\text{s}$	
Critical Rate of Rise of On-State Current $I_G=500\text{mA}$ , $dI_G/dt = 1\text{A}/\mu\text{s}$	Repetitive, F=50 Hz	$T_J=125^\circ\text{C}$	$dI/dt$	50	$\text{A}/\mu\text{s}$	
	Non Repetitive			100	$\text{A}/\mu\text{s}$	
Non Repetitive Surge Peak Off-State Voltage		$t_p=10\text{ms}$	$T_J=25^\circ\text{C}$	$V_{DSM}/V_{RSM}$	$V_{DSM}/V_{RSM}+100$	V
Peak Gate Current		$t_p=20\mu\text{s}$	$T_J=125^\circ\text{C}$	$I_{GM}$	4	A
Peak Positive Gate Voltage		$t_p=20\mu\text{s}$	$V_{GM}$	16	V	
Average Gate Power Dissipation		$T_J=125^\circ\text{C}$	$P_{G(AV)}$	1	W	
Operating Junction Temperature			$T_J$	-40~+125	$^\circ\text{C}$	
Storage Junction Temperature			$T_{STG}$	-40~+150	$^\circ\text{C}$	

Note: Absolute maximum ratings are those values beyond which the device could be permanently damaged.

Absolute maximum ratings are stress ratings only and functional device operation is not implied.

### ■ THERMAL RESISTANCES

PARAMETER	SYMBOL	RATINGS	UNIT
Junction to Ambient	$\theta_{JA}$	60	$^\circ\text{C}/\text{W}$
Junction to Case (AC)	$\theta_{JC}$	1.3	$^\circ\text{C}/\text{W}$
Junction to Case (DC)		1.7	$^\circ\text{C}/\text{W}$

### ■ ELECTRICAL CHARACTERISTICS ( $T_J=25^\circ\text{C}$ unless otherwise specified.)

PARAMETER	SYMBOL	TEST CONDITIONS	BW			CW			UNIT	
			MIN	TYP	MAX	MIN	TYP	MAX		
Gate Trigger Current (Note 1)	$I_{GT}$	$V_D=12\text{V}$ , $R_L=33\Omega$	I-II-III	2		50	1		35	mA
Gate Trigger Voltage	$V_{GT}$		I-II-III			1.5			1.5	V
Gate Non-Trigger Voltage	$V_{GD}$	$V_D=V_{DRM}$ , $R_L=3.3\text{k}\Omega$ , $T_J=125^\circ\text{C}$	I-II-III	0.2			0.2			V
Holding Current (Note 2)	$I_H$	$I_T=500\text{mA}$ , Gate Open				75			50	mA
Latching Current	$I_L$	$I_G=1.2I_{GT}$	I-III		50					mA
			II		90					mA
			I-II-III						80	mA
Critical Rate of Rise of Off-State Voltage (Note 2)	$dV/dt$	$V_D=67\%V_{DRM}$ , Gate Open, $T_J=125^\circ\text{C}$		500	750		250	500		$\text{V}/\mu\text{s}$
Critical Rate of Rise of Off-State Voltage at Commutation (Note 2)	$(dV/dt)_c$	$(dI/dt)_c=20\text{A}/\text{ms}$ , $T_J=125^\circ\text{C}$		18	36		11	22		$\text{V}/\mu\text{s}$

### ■ STATIC CHARACTERISTICS

PARAMETER	SYMBOL	TEST CONDITIONS	MIN	TYP	MAX	UNIT		
Peak On-State Voltage (Note 2)	$V_{TM}$	$I_{TM}=28\text{A}$ , $t_p=380\mu\text{s}$				$T_J=25^\circ\text{C}$	1.70	V
Repetitive Peak Off-State Current	$I_{DRM}$	$V_{DRM}=V_{RRM}$				$T_J=25^\circ\text{C}$	10	$\mu\text{A}$
	$I_{RRM}$					$T_J=125^\circ\text{C}$	3	mA

Notes: 1. Minimum  $I_{GT}$  is guaranteed at 5% of  $I_{GT}$  max.

2. For both polarities of MT2 referenced to MT1.

UTC assumes no responsibility for equipment failures that result from using products at values that exceed, even momentarily, rated values (such as maximum ratings, operating condition ranges, or other parameters) listed in products specifications of any and all UTC products described or contained herein. UTC products are not designed for use in life support appliances, devices or systems where malfunction of these products can be reasonably expected to result in personal injury. Reproduction in whole or in part is prohibited without the prior written consent of the copyright owner. UTC reserves the right to make changes to information published in this document, including without limitation specifications and product descriptions, at any time and without notice. This document supersedes and replaces all information supplied prior to the publication hereof.