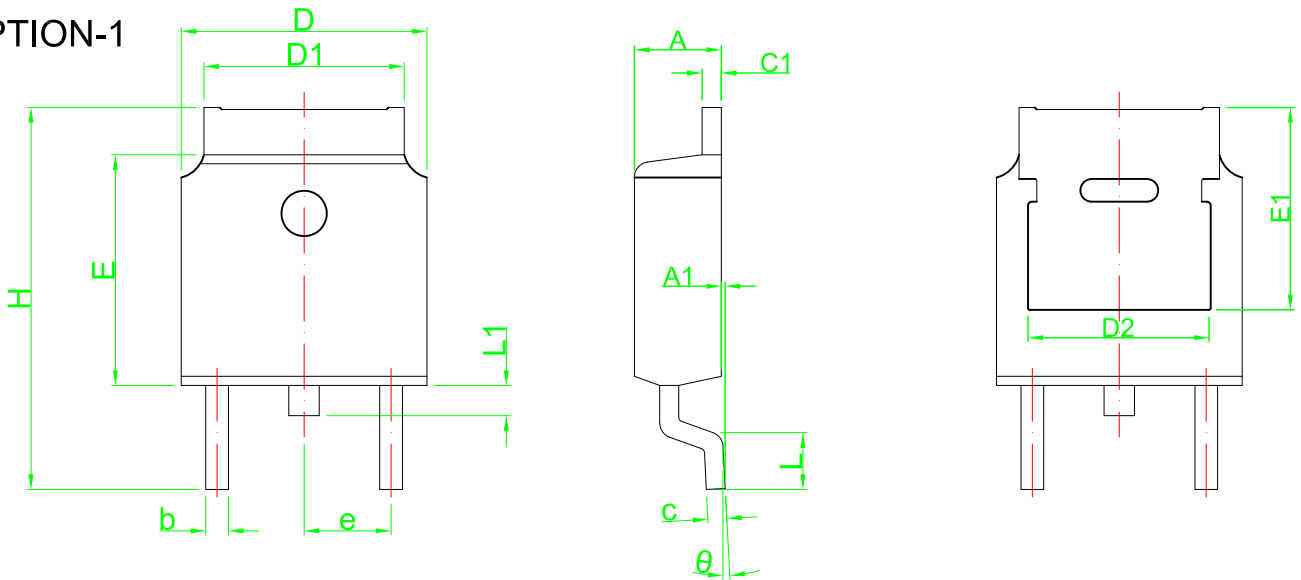
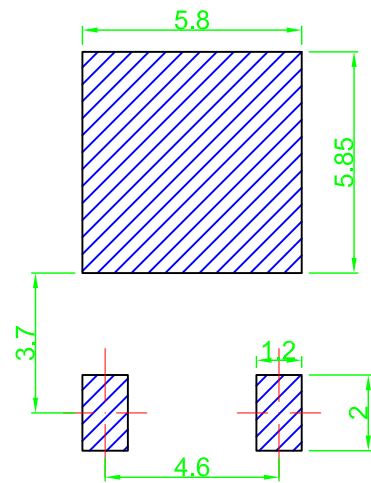
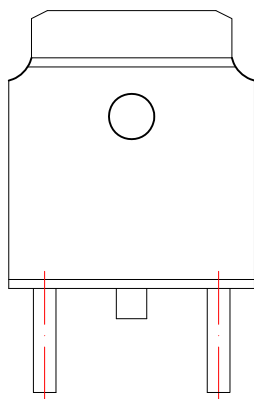


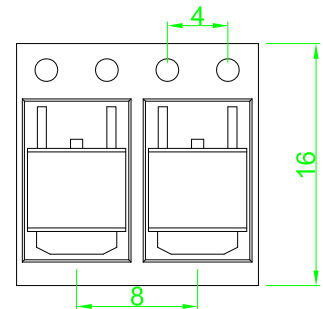
OPTION-1



OPTION-2



Recommended Land Pattern



Q'ty / Reel	Reel Size
2500pcs	13"

Symbol	Dimensions in Millimeters		Dimensions in Inches	
	Min	Max	Min	Max
A	2.20	2.40	0.087	0.094
A1	0.05	0.25	0.002	0.010
b	0.66	0.86	0.026	0.034
c	0.40	0.60	0.016	0.024
c1	0.40	0.60	0.016	0.024
D	6.50	6.70	0.256	0.264
D1	5.10	5.46	0.201	0.215
D2	4.70	4.92	0.185	0.194
E	6.00	6.20	0.236	0.244
E1	5.20	5.45	0.205	0.215
H	9.80	10.40	0.386	0.409
e	2.30 TYP		0.09 TYP	
L	1.40	1.70	0.055	0.067
L1	0.60	1.00	0.024	0.039
θ	0°	8°	0°	8°

Refer to JEDEC No. TO-252



友順科技股份有限公司
UNISONIC TECHNOLOGIES CO.,LTD

正式發行圖面

SCALE	mm
5:發行	0 30
SHEET DR	THIRD ANGLE PROJECTION
of SEP 25 2013	文件管理 中心
ENG. Henry Hsiao	2013/9/18
APPR. Henry Hsiao	2013/9/18

REV:A0
PART NO:TO-252D
DWG NO:DIM-TO-252D-000-A0

TITLE
TO-252D
Package Dimensions