



## USS359

Preliminary

LINEAR INTEGRATED CIRCUIT

### 8 GUN SOUND BUILT IN TRANSISTOR

#### DESCRIPTION

The UTC **USS359** is a new type CMOS sound generator designed for using in rhythm box, toys, etc. It is designed with sound composite system by minimum application circuit and electrify is working. It's easy for you to design your consumer products.

#### FEATURES

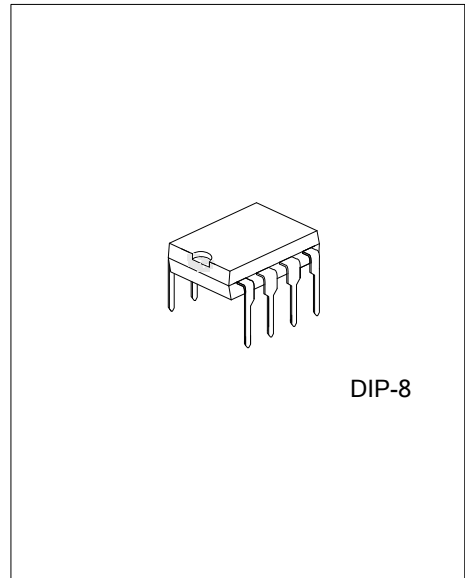
- \* 2V~3.5V power supply
- \* Built-in oscillator and Typical oscillator frequency 128KHz .
- \* Without retriggerable
- \* Electrify is working
- \* Auto power off

#### ORDERING INFORMATION

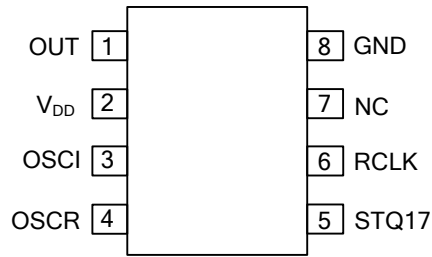
Ordering Number		Package	Packing
Lead Free	Halogen Free		
USS359L-D08-T	USS359G-D08-T	DIP-8	Tube

Note: xx: Output Voltage, refer to Marking Information.

USS359L-D08-T 	(1)Packing Type (2)Package Type (3)Lead Free	(1) T: Tube (2) D08: DIP-8 (3) L: Lead Free, G: Halogen Free
-------------------	--	--



■ PIN CONFIGURATION



■ PIN DESCRIPTION

PIN NO.	PIN NAME	DESCRIPTION
1	OUT	Sound direct output pin
2	V <sub>DD</sub>	Positive power supply pin
3	OSCI	Oscillator input
4	OSCR	Oscillator output
5	STQ17	For test
6	RCLK	For test
7	NC	Test mode pin
8	GND	Negative power supply pin

■ ABSOLUTE MAXIMUM RATING

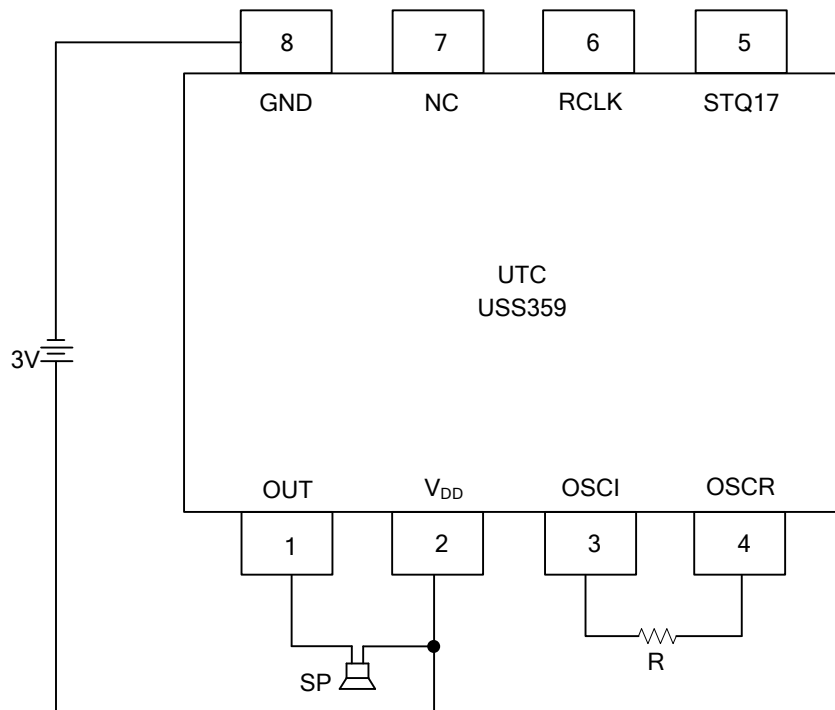
PARAMETER	SYMBOL	RATINGS	UNIT
Supply Voltage	$V_{DD}$	0~5	V
Input/ Output Voltage	$V_I/V_O$	0~5	V
Operating Temperature	$T_{OPR}$	0~60	°C
Storage Temperature	$T_{STG}$	-20~100	°C

Note: Absolute maximum ratings are those values beyond which the device could be permanently damaged. Absolute maximum ratings are stress ratings only and functional device operation is not implied.

■ ELECTRICAL CHARACTERISTICS

PARAMETER	SYMBOL	TEST CONDITIONS	MIN	TYP	MAX	UNIT
Operating Voltage	$V_{DD}$			3	3.5	V
Operating $I_{DD}$	$I_{DD}$	No Load		0.1	0.5	mA
Quiescent $I_{DD}$	$I_{DD}$			1	5	μA
OUT Driving Current	$I_{DRV}$	$V_{DS}=1V$	80			mA
Oscillator Frequency	$F_{OSC}$	±30% TOL		125		KHz
Operating Temperature	$T_{EMP}$		0	25	60	°C

■ TYPICAL APPLICATION CIRCUIT



UTC assumes no responsibility for equipment failures that result from using products at values that exceed, even momentarily, rated values (such as maximum ratings, operating condition ranges, or other parameters) listed in products specifications of any and all UTC products described or contained herein. UTC products are not designed for use in life support appliances, devices or systems where malfunction of these products can be reasonably expected to result in personal injury. Reproduction in whole or in part is prohibited without the prior written consent of the copyright owner. The information presented in this document does not form part of any quotation or contract, is believed to be accurate and reliable and may be changed without notice.