



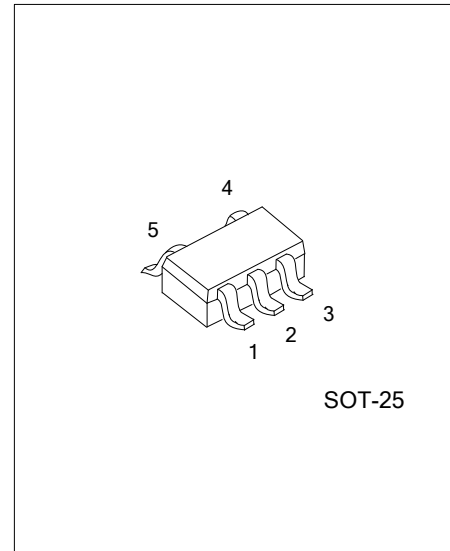
# 150mA CMOS LDO WITH SHUTDOWN AND REFERENCE BYPASS

### DESCRIPTION

The UTC **LR1185** is a 150 mA LDO regulator has very high PSRR and super low dropout voltage especially suitable for wireless and portable applications.

In the field of hand-held wireless devices, board space and battery life are the main concerns of designers and end-users. Because of the low quiescent current and low ESR ceramic capacitors, UTC **LR1185** can satisfy those concerns.

Furthermore, low current consumption (50µA), high output accuracy, current limiting protection, and high ripple rejection ratio are advantages of UTC **LR1185**.



### FEATURES

- \* Operating voltage ranges : 2.7V~5.5V
- \* Dropout : 100mV at 150mA
- \* When IC shutdown: 5mA discharge current of  $V_{out}$
- \* Extreme low Noise for DSC application
- \* Extreme fast response in line/load transient
- \* Internal current limiting protection
- \* Internal thermal shutdown protection
- \* High PSRR
- \* Recommended 1µF output capacitor only for stability
- \* With TTL logic controlled shutdown input

### ORDERING INFORMATION

Ordering Number	Package	Packing
LR1185G-xx-AF5-R	SOT-25	Tape Reel

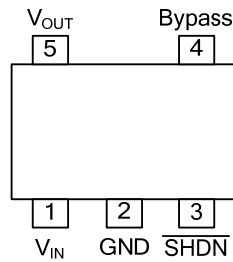
Note: xx: Output Voltage, refer to Marking Information.

<p>LR1185G-xx-AF5-R</p> <ul style="list-style-type: none"> <li>(1)Packing Type</li> <li>(2)Package Type</li> <li>(3)Output Voltage Code</li> <li>(4)Green Package</li> </ul>	<ul style="list-style-type: none"> <li>(1) R: Tape Reel</li> <li>(2) AF5: SOT-25</li> <li>(3) xx: refer to Marking Information</li> <li>(4) G: Halogen Free and Lead Free</li> </ul>
--	--

MARKING INFORMATION

PACKAGE	VOLTAGE CODE	MARKING
SOT-25	4B: 4.15V	

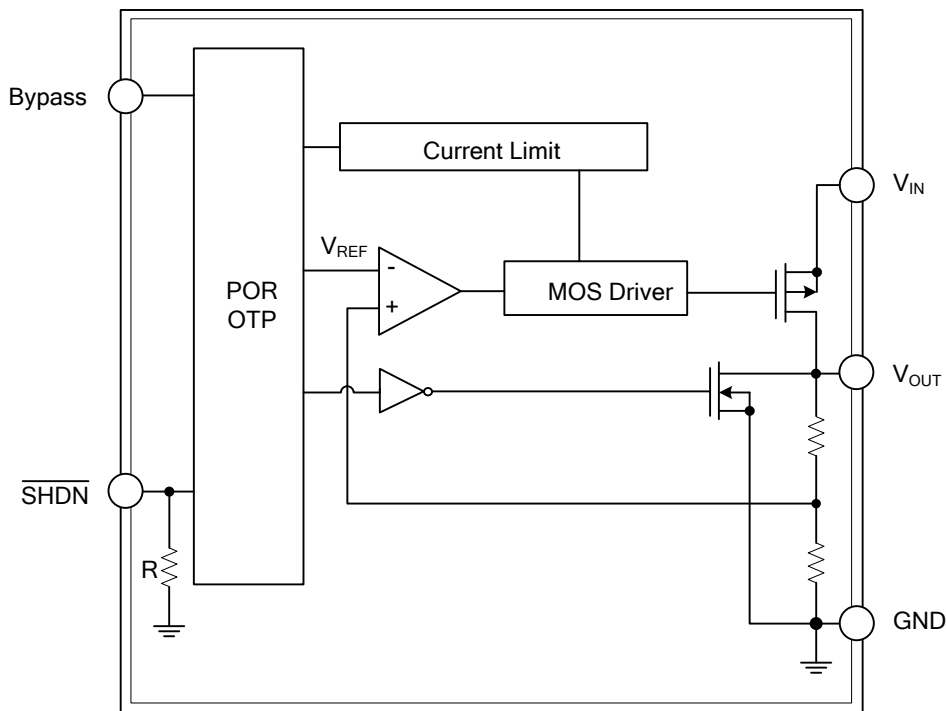
PIN CONFIGURATION



PIN DESCRIPTION

PIN NO.	PIN NAME	DESCRIPTION
1	V <sub>IN</sub>	Unregulated supply input.
2	GND	Ground terminal.
3	SHDN	Shutdown control input.
4	Bypass	Reference bypass input. Connecting a 470pF to this input further reduces output noise.
5	V <sub>OUT</sub>	Regulated voltage output.

BLOCK DIAGRAM



■ ABSOLUTE MAXIMUM RATING (T<sub>A</sub>=25°C, unless otherwise specified.)

PARAMETER	SYMBOL	RATINGS	UNIT
Supply Input Voltage	V <sub>IN</sub>	6	V
Output Voltage	V <sub>OUT</sub>	-0.3 ~ V <sub>IN</sub> +0.3	V
Power Dissipation (T <sub>A</sub> =25°C)	P <sub>D</sub>	0.38	W
Junction Temperature	T <sub>J</sub>	125	°C
Ambient Operation Temperature	T <sub>OPR</sub>	-40~ +85	°C
Storage Temperature	T <sub>STG</sub>	-65 ~ +150	°C

Note: Absolute maximum ratings are those values beyond which the device could be permanently damaged.

Absolute maximum ratings are stress ratings only and functional device operation is not implied.

■ THERMAL DATA

PARAMETER	SYMBOL	RATINGS	UNIT
Junction to Ambient	θ <sub>JA</sub>	330	°C/W

■ OPERATING CONDITIONS

PARAMETER	SYMBOL	RATINGS	UNIT
Supply Input Voltage	V <sub>IN</sub>	2.7 ~ 5.5	V

■ ELECTRICAL CHARACTERISTICS

(V<sub>IN</sub>=V<sub>OUT</sub>+0.5V, V<sub>EN</sub>=V<sub>IN</sub>, C<sub>IN</sub>=C<sub>OUT</sub> =1μF (Ceramic), T<sub>A</sub>=25°C, unless otherwise specified.)

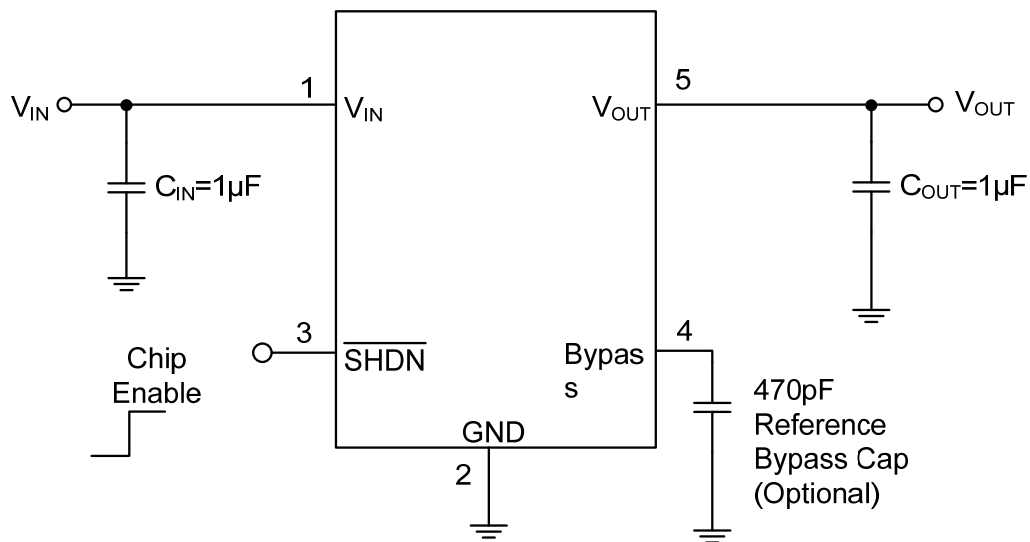
PARAMETER	SYMBOL	TEST CONDITIONS	MIN	TYP	MAX	UNIT
Input Voltage	V <sub>IN</sub>		2.7		5.5	V
Output Voltage Accuracy	ΔV <sub>OUT</sub>	I <sub>OUT</sub> =10mA	-2	0	+2	%
Line Regulation	$\frac{\Delta V_{OUT}}{\Delta V_{IN} \times V_{OUT}}$	V <sub>IN</sub> =(V <sub>OUT</sub> +0.5V)~5.5V, I <sub>OUT</sub> =1mA		0.01	0.2	%/V
Load Regulation (Note 1)	$\frac{\Delta V_{OUT}}{V_{OUT}}$	1mA<I <sub>OUT</sub> <150mA, 2.7V≤V <sub>IN</sub> ≤5.5V		0.5	1	%
Quiescent Current (Note 2)	I <sub>Q</sub>	V <sub>EN</sub> =5V, I <sub>OUT</sub> =0mA		25	50	μA
Standby Current	I <sub>STN-BY</sub>	V <sub>EN</sub> =0V			1	μA
Short Current	I <sub>SC</sub>	R <sub>LOAD</sub> =0Ω, 2.7V≤V <sub>IN</sub> ≤5.5V		0.5		A
Dropout Voltage (Note 3)	V <sub>D</sub>	I <sub>OUT</sub> =150mA		100	200	mV
Soft Start Time		V <sub>OUT</sub> =2.5V, C <sub>SS</sub> =1nF, C <sub>OUT</sub> =1μF		0.7	1.2	ms
EN Threshold	Logic-Low	V <sub>IL</sub>			0.6	V
	Logic-High	V <sub>IH</sub>	1.6			V
Enable Pin Current	I <sub>EN</sub>		0.1	1	5	μA
Over Temperature Shutdown	OTS			170		°C
Over Temperature Hysteresis	OTH			30		°C
Power Supply Rejection Rate	PSRR	I <sub>OUT</sub> =10mA, f=10kHz		55		dB
Output Noise Voltage	e <sub>N</sub>	V <sub>OUT</sub> =1.5V, C <sub>OUT</sub> =1μF, I <sub>OUT</sub> =0mA, C <sub>SS</sub> =1nF		40		μV <sub>RMS</sub>

Notes: 1. Regulation is measured at constant junction temperature by using a 2ms current pulse. Devices are tested for load regulation in the load range from 1mA to 150mA.

2. Quiescent, or ground current, is the difference between input and output currents. It is defined by I<sub>Q</sub>=I<sub>IN</sub> - I<sub>OUT</sub> under no load condition (I<sub>OUT</sub>=0mA). The total current drawn from the supply is the sum of the load current plus the ground pin current.

3. The dropout voltage is defined as V<sub>IN</sub> - V<sub>OUT</sub>, which is measured when V<sub>OUT</sub> is V<sub>OUT(NORMAL)</sub>×98%.

## ■ TYPICAL APPLICATION CIRCUIT



UTC assumes no responsibility for equipment failures that result from using products at values that exceed, even momentarily, rated values (such as maximum ratings, operating condition ranges, or other parameters) listed in products specifications of any and all UTC products described or contained herein. UTC products are not designed for use in life support appliances, devices or systems where malfunction of these products can be reasonably expected to result in personal injury. Reproduction in whole or in part is prohibited without the prior written consent of the copyright owner. The information presented in this document does not form part of any quotation or contract, is believed to be accurate and reliable and may be changed without notice.