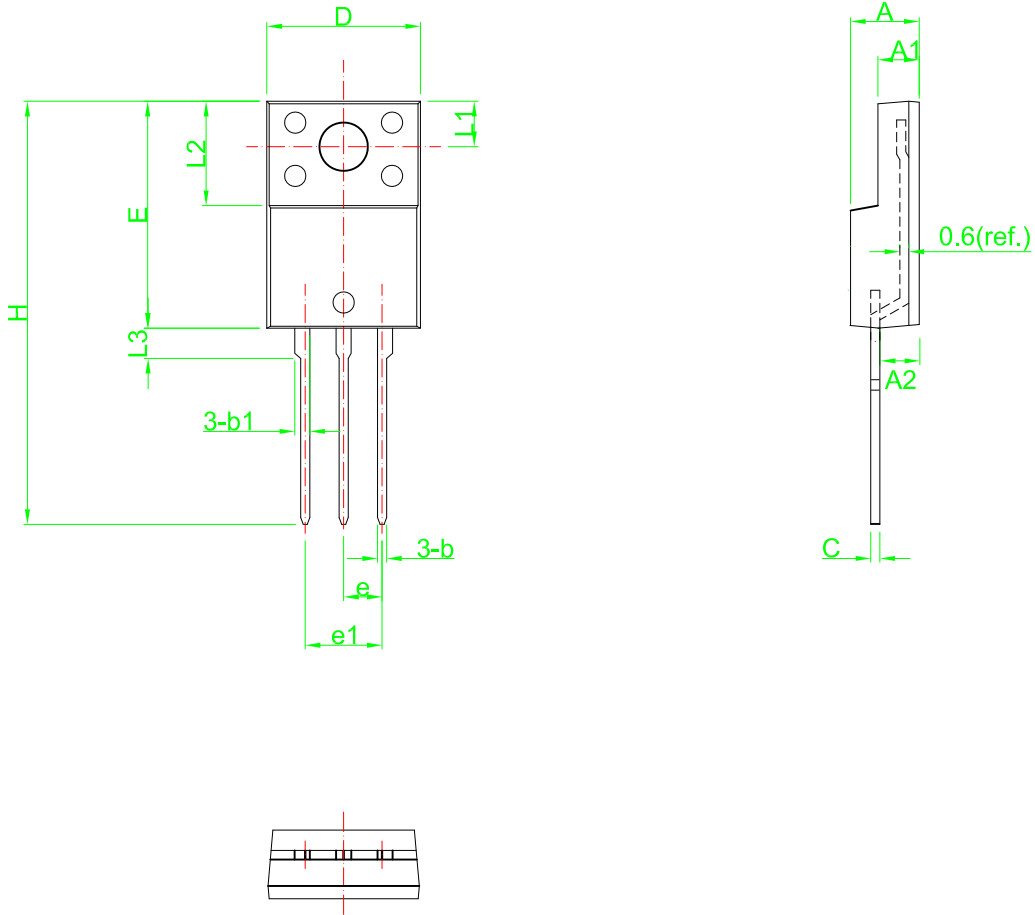


禁用RoHS / REACH/SS00259 之有害物質



Symbol	Dimensions in Millimeters		Dimensions in Inches	
	Min	Max	Min	Max
A	4.34	4.74	0.171	0.187
A1	2.53	2.93	0.100	0.115
A2	2.40	2.80	0.094	0.110
b	0.50	0.70	0.020	0.028
b1	0.90	1.10	0.035	0.043
C	0.50	0.70	0.020	0.028
D	9.80	10.20	0.386	0.402
E	14.80	15.20	0.583	0.598
e	2.54TYP		0.100TYP	
e1	4.68	5.48	0.184	0.216
H	27.40	28.60	1.079	1.126
L1	2.90	3.10	0.114	0.122
L2	6.70	7.10	0.264	0.280
L3	1.90	2.10	0.075	0.083



友順科技股份有限公司
UNISONIC TECHNOLOGIES CO.,LTD

正式發行圖面

SCALE	mm
2: 發行	0 30
SHEET	THIRD ANGLE PROJECTION
of	MAR 06 2014
ENG.	Henry Hsiao 2014/3/3
APPR.	UTC Doc Control Center Henry Hsiao 2014/3/3

REV: A0
PART NO: TO-220F3
DWG NO: DIM-TO-220F3-000-A0

TITLE
TO-220F3
Package Dimensions