



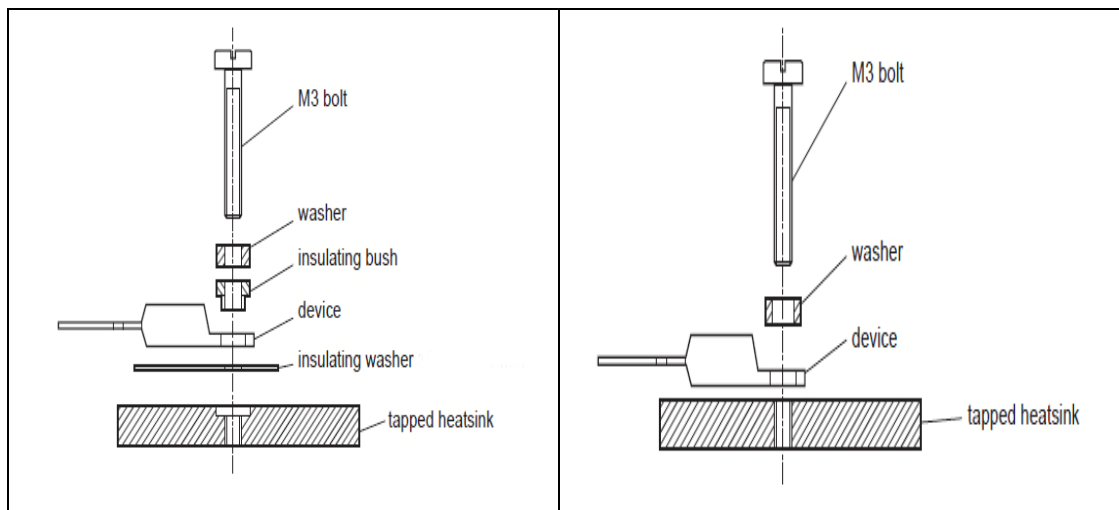
## Application Note

### Heatsink Screw Mounting

It is recommended that a metal washer is inserted between screw head and mounting tab. Do not use self-tapping screws.

Mounting torque for screw mounting (for thread-forming screws the values are final values):

- Minimum torque for good heat transfer is 0.50 Nm
- Maximum torque to avoid damaging the device is 0.80 Nm.





友順科技股份有限公司

Unisonic Technologies Co., Ltd.

■ Typical and maximum mounting torque value

Package	Typ (Nm)	Max (Nm)	Remark
TO-247	0.50	0.80	Screw M3
TO-220	0.50	0.80	Screw M3
TO-220F	0.50	0.80	Screw M3

Note1: For TO-220F products speaking, customer used automatic screw driver process; please contact our business representative for confirming product body's burr and the size of screw hole.



UNISONIC TECHNOLOGIES CO.,LTD

2

[www.unisonic.com.tw](http://www.unisonic.com.tw)

發行

FOR ISSUE

Feb 12 2015

文件管理中心

UTC Doc.Control Center