



US251

CMOS IC

CURRENT-LIMITED, POWER-DISTRIBUTION SWITCHES

DESCRIPTION

The UTC **US251** is a power distribution switch. It is intended for applications such as USB where heavy capacitive loads and short-circuits are likely to be encountered. This family offers multiple devices with fixed current-limit thresholds for applications between 0.5A and 2A.

The $R_{DS(ON)}$ of the MOSFET switch is as low as 80mΩ. \overline{OC} is open-drain output report over-current or over-temperature event which has deglitch typical 9ms timeout period typically 9ms.

The UTC **US251** incorporates protection circuits including current limiting circuit with foldback function, thermal shutdown circuit designed to prevent catastrophic switch failure due to increasing power dissipation when continuous heavy loads or short circuit occurs. Besides, a built-in charge pump is used to drive the N-channel MOSFET that is free of parasitic body diode to eliminate any reversed current flow across the switch when it is powered off.

The UTC **US251** is applied in high-side power protection switch, USB power management, USB host and self-powered hubs, USB bus-powered hubs, hot plug-in power supplies, battery-charger circuits.

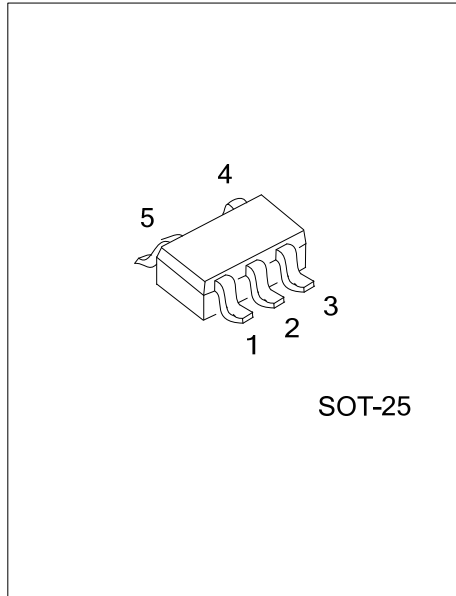
FEATURES

- * Single Power Switch Family
- * 80-mΩ High-Side MOSFET
- * Rated currents of 0.5 A, 1 A, 1.5 A, 2 A
- * Accurate, Fixed, Constant Current Limit
- * Deglitched Fault Reporting
- * Output Discharge When Disabled
- * Reverse Current Blocking
- * Built-in Softstart

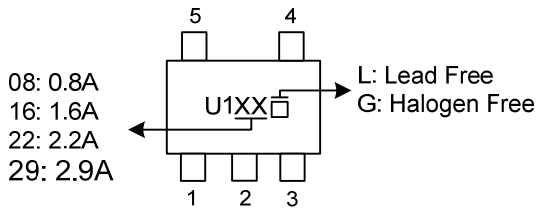
ORDERING INFORMATION

Ordering Number		Package	Packing
Lead Free	Halogen Free		
US251L-xx-AF5-R	US251G-xx-AF5-R	SOT-25	Tape Reel

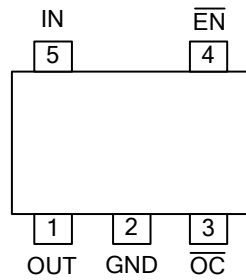
<p>US251G-xx-AF5-R</p> <p>(1)Packing Type (2)Package Type (3)Current Limit (4)Green Package</p>	<p>(1) R: Tape Reel (2) AF5: SOT-25 (3) 08: 0.8A, 16: 1.6A, 22: 2.2A, 29: 2.9A (4) G: Halogen Free and Lead Free, L: Lead Free</p>
---	--



MARKING



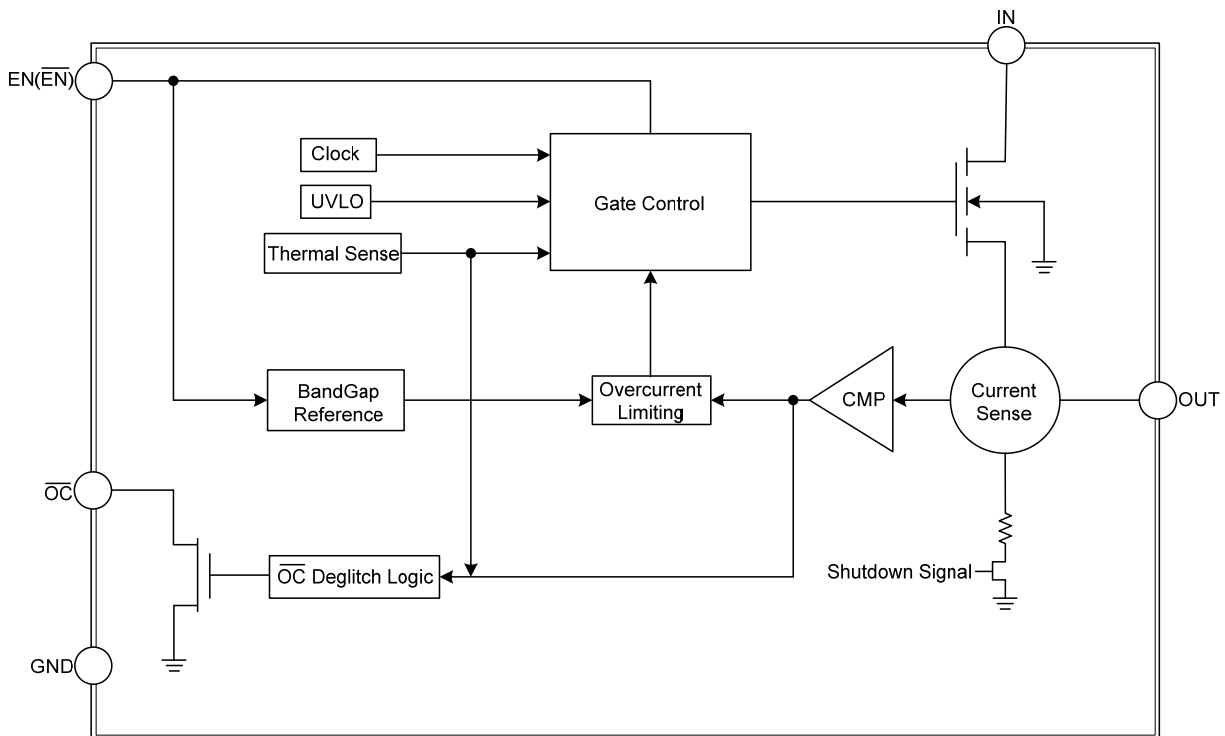
PIN CONFIGURATION



PIN DESCRIPTION

PIN NO.	PIN NAME	DESCRIPTION
1	OUT	Output MOSFET Source of switch.
2	GND	Ground
3	\overline{OC}	Open-Drain \overline{OC} output.
4	EN or \overline{EN}	Enable input. Make sure EN pin never floating.
5	IN	Power Input Voltage

BLOCK DIAGRAM



■ ABSOLUTE MAXIMUM RATING

PARAMETER	SYMBOL	RATINGS	UNIT
Supply Voltage	V_{IN}	-0.3 ~ 6	V
Enable Input Voltage	V_{EN}	-0.3 ~ 6	V
Flag Voltage	V_{EN}	-0.3 ~ 6	V
Output Voltage	V_{OUT}	-0.3 ~ 6	V
Output Current	I_{OUT}	Internally Limited	A
Junction Temperature	T_J	+150	°C
Storage Temperature	T_{STG}	-65 ~ +150	°C

Note: Absolute maximum ratings are those values beyond which the device could be permanently damaged. Absolute maximum ratings are stress ratings only and functional device operation is not implied.

■ THERMAL DATA

PARAMETER	SYMBOL	RATINGS	UNIT
Junction to Ambient	θ_{JA}	250	°C/W

■ RECOMMENDED OPERATING CONDITIONS

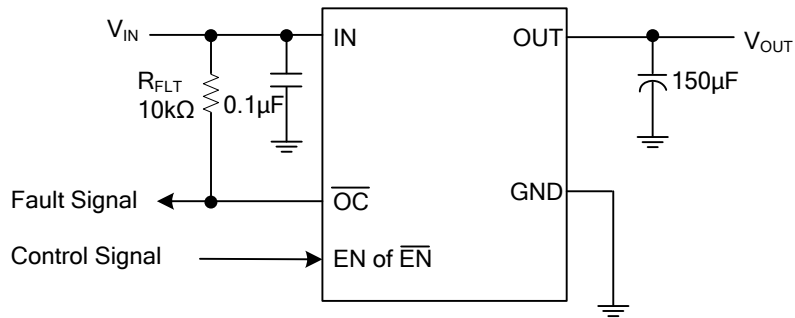
PARAMETER	SYMBOL	TEST CONDITIONS	MIN	TYP	MAX	UNIT
Input Voltage, IN	V_{IN}		3.5		5.5	V
Input Voltage, EN or \overline{EN}	V_{EN}		0		5.5	V
Operating Junction Temperature	T_J		-40		+125	°C
Sink Current Into \overline{FLT}	$I_{\overline{FLT}}$		0		5	mA

■ ELECTRICAL CHARACTERISTICS

($V_{IN}=5V$, $C_{IN}=C_{OUT}=1\mu F$, $T_A=25^\circ C$, unless otherwise specified)

PARAMETER	SYMBOL	TEST CONDITIONS	MIN	TYP	MAX	UNIT	
ENABLE INPUT							
CTL Threshold	Low	V_{IL}	$V_{IN}=3.5V\sim 5.5V$, Switch OFF		0.8	V	
	High	V_{IH}	$V_{IN}=3.5V\sim 5.5V$, Switch ON		2.0	V	
CTL Input Current	$I_{I(CTL)}$	$V_{CTL}=0V\sim 5.5V$		0.01		μA	
UNDER VOLTAGE LOCK							
Under-Voltage Lockout	V_{UVLO}	V_{IN} increasing		2.8		V	
Under-Voltage Hysteresis	ΔV_{UVLO}	V_{IN} decreasing		0.1		V	
SUPPLY CURRENT							
Supply Current	$I_{SW(ON)}$	Switch on, $V_{OUT}=OPEN$		55	70	μA	
	$I_{SW(OFF)}$	Switch off, $V_{OUT}=OPEN$		0.1	1	μA	
Output Leakage Current	$I_{O(LEAK)}$	$V_{CTL}=0V$, $R_{LOAD}=0\Omega$		0.5	10	μA	
Reverse Leakage Current	I_{REV}	$V_{OUT}=5V$, $V_{IN}=0V$, measure $I_{V_{OUT}}$		0.1	1	μA	
		$-40^\circ C \leq (T_J, T_A) \leq 85^\circ C$, $V_{OUT}=5V$, $V_{IN}=0V$, measure $I_{V_{OUT}}$			5	μA	
CURRENT LIMIT							
Current Limit	I_{LIMIT}		US251-08	0.6	0.8	1.1	A
			US251-16	1.2	1.6	1.9	A
			US251-22	1.6	2.2	2.7	A
			US251-29	2.3	2.9	3.6	A
Short Circuit Fold-Back Current	$I_{SC(FB)}$	$V_{OUT}=0V$, measured prior to thermal shutdown	US251-08		1		A
			US251-16		1		A
			US251-22		1		A
			US251-29		1		A
POWER SWITCH							
Switch ON Resistance	$R_{DS(ON)}$	$I_{OUT}=0.5A$	US251-08		80	110	m Ω
		$I_{OUT}=1.0A$	US251-16		80	110	m Ω
		$I_{OUT}=1.5A$	US251-22		80	110	m Ω
		$I_{OUT}=2.0A$	US251-29		80	110	m Ω
Output Turn-ON Rise Time	$t_{ON(RISE)}$	10% ~ 90% of V_{OUT} rising		400		μs	
OVER CURRENT FLAG							
FLAG OFF Current	$I_{FLG(OFF)}$	$V_{FLG}=5V$		0.01	1	μA	
FLAG Output Resistance	R_{FLG}	$I_{SINK}=1mA$		20	400	Ω	
FLAG Delay Time	t_D	From fault condition to \overline{FLG} assertion		10		ms	
THERMAL SHUTDOWN							
Thermal Shutdown Protection	T_{SD}			130		$^\circ C$	
Thermal Shutdown Hysteresis	ΔT_{SD}			20		$^\circ C$	
Output Discharge							
Output Pull-Down Resistance	R_{PD}	$V_{IN}=V_{OUT}=5.0V$, disabled		400	800	Ω	

■ TYPICAL APPLICATION CIRCUIT



UTC assumes no responsibility for equipment failures that result from using products at values that exceed, even momentarily, rated values (such as maximum ratings, operating condition ranges, or other parameters) listed in products specifications of any and all UTC products described or contained herein. UTC products are not designed for use in life support appliances, devices or systems where malfunction of these products can be reasonably expected to result in personal injury. Reproduction in whole or in part is prohibited without the prior written consent of the copyright owner. UTC reserves the right to make changes to information published in this document, including without limitation specifications and product descriptions, at any time and without notice. This document supersedes and replaces all information supplied prior to the publication hereof.