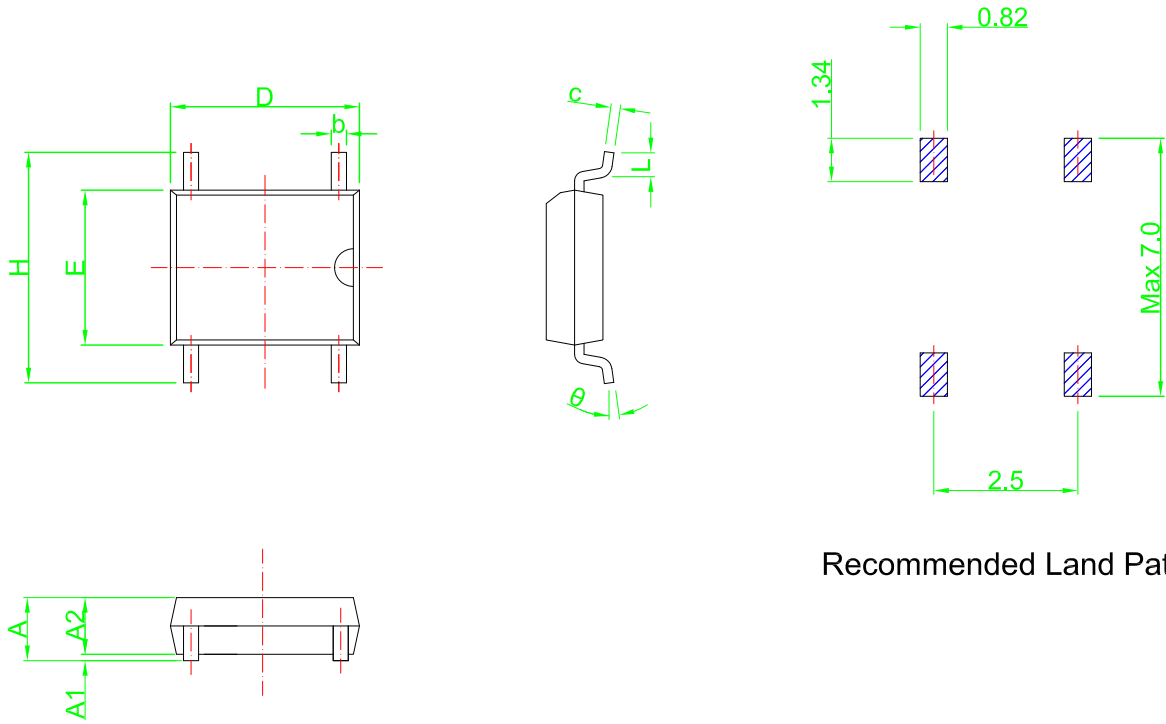


禁用RoHS / REACH/SS00259 之有害物質



Recommended Land Pattern

Symbol	Dimensions in Millimeters		Dimensions in Inches	
	Min	Max	Min	Max
A	2.50	2.90	0.098	0.114
A1	-	0.20	-	0.008
A2	2.30	2.70	0.091	0.106
b	0.50	0.70	0.020	0.028
c	0.15	0.25	0.006	0.010
D	4.50	4.95	0.177	0.195
e	2.30	2.70	0.091	0.106
E	3.60	4.10	0.142	0.161
H	-	7.00	-	0.276
L	0.60	1.10	0.024	0.043
θ	0°	8°	0°	8°



友順科技股份有限公司
UNISONIC TECHNOLOGIES CO.,LTD

正式發行圖面

SCALE	mm
5:發行	0 30
SHEET 1 of 1	THIRD ANGLE PROJECTION
Nov 17 2015	UTC Doc Control Center
ENG. Angus Chang	2015/11/11
APPR. Kelvin Lee	2015/11/11

REV:A0
PART NO:MBS
DWG NO:DIM-MBS-000-A0

TITLE
MBS
Package Dimensions