



LV2462/2463

CMOS IC

FAMILY OF LOW-POWER RAIL-TO-RAIL INPUT/OUTPUT OPERATIONAL AMPLIFIERS WITH SHUTDOWN

DESCRIPTION

The UTC LV2462/LV2463 are dual low-power rail-to-rail input/output op amplifiers with low supply current (500uA/op) and low voltage (2.7-6V), that can be designed into a wide range of applications. The UTC LV2463 offers a shutdown terminal, which places the amplifier in an ultralow supply current mode (I_{cc}= 0.3μA/ch).

The UTC LV2462/LV2463 have a guaranteed 1.6 V/μs slew rate and low supply current. rail-to-rail output and high output current make the IC's ideal for buffering analog-to-digital converters. And the input common-mode voltage range including ground and V_{cc}. Besides, they are also able to driving large capacitive loads.

Good AC performance can be provided because of 6.4MHz of bandwidth and 1.6 V/μs of slew rate. Furthermore, low input noise voltage (11nV/√Hz) and low input offset voltage (100μV) make good DC performance.

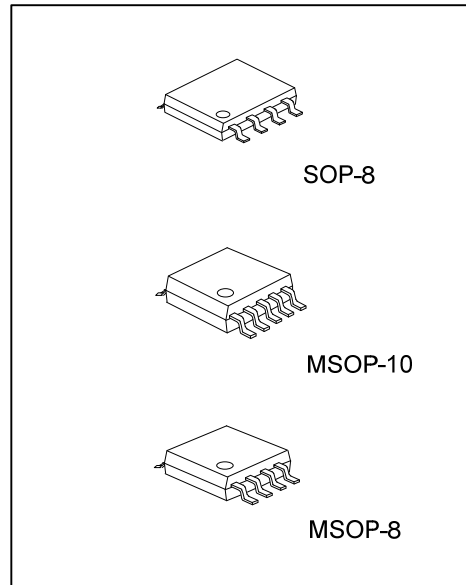
FEATURES

- * Rail-to-Rail Input/Output
- * Gain Bandwidth Product: 6.4 MHz
- * ±48mA Output Drive Capability(V_{cc}=5V)
- * Supply Current: 500μA/channel
- * Input Offset Voltage: 100μV
- * Input Noise Voltage: 11nV/√Hz
- * Slew Rate: 1.6V/μs
- * Universal Operational Amplifier
- * Micropower shutdown mode (LV2463) 0.3μA/channel

ORDERING INFORMATION

Ordering Number		Package	Packing
Lead Free	Halogen Free		
LV2462L-S08-R	LV2462G-S08-R	SOP-8	Tape Reel
LV2462L-SM1-R	LV2462G-SM1-R	MSOP-8	Tape Reel
LV2463L-SM2-R	LV2463G-SM2-R	MSOP-10	Tape Reel

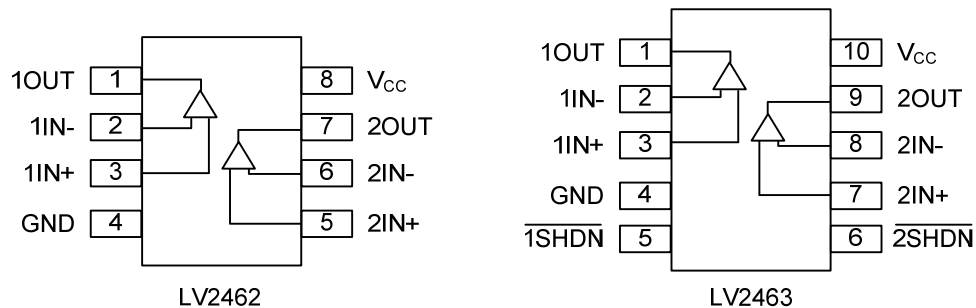
<p>LV2462G-S08-R</p>	<p>(1) R: Tape Reel (2) SM1: MSOP-8, S08: SOP-8, SM2: MSOP-10 (3) G: Halogen Free and Lead Free, L: Lead Free</p>
----------------------	---



MARKING

SOP-8 / MSOP-8	MSOP-10
<p> 8 7 6 5 → Date Code UTC LV2462 L: Lead Free G: Halogen Free Lot Code 1 2 3 4 </p>	<p> 10 9 8 7 6 → Date Code UTC LV2463 L: Lead Free G: Halogen Free Lot Code 1 2 3 4 5 </p>

PIN CONFIGURATION

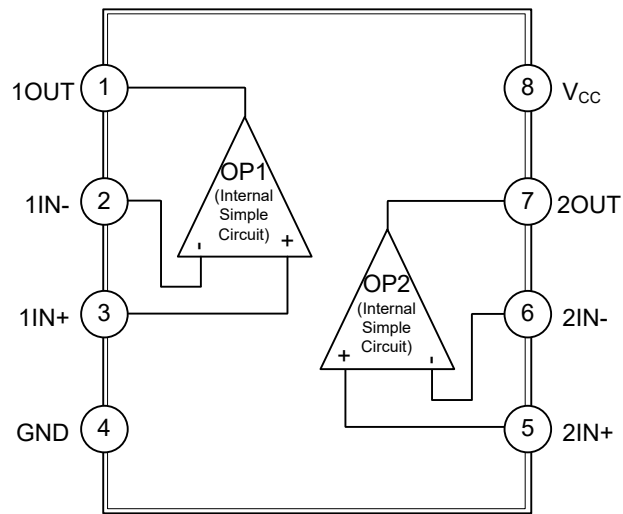


PIN DESCRIPTION

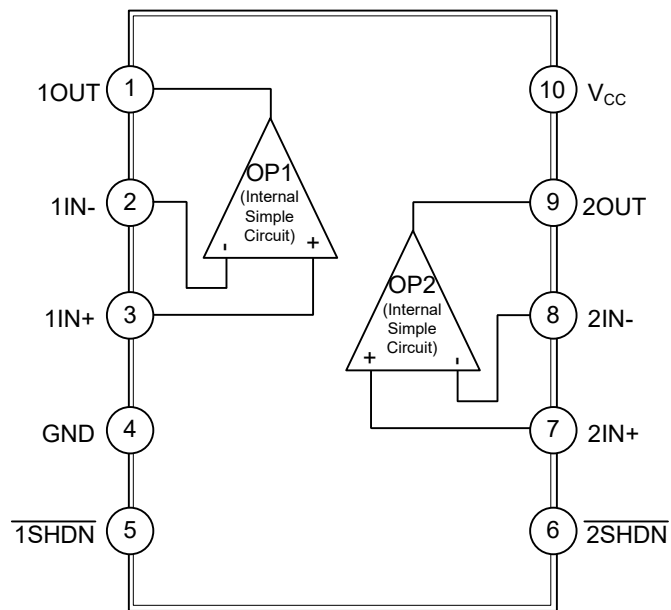
PIN NO.		PIN NAME	DESCRIPTION
LV2462	LV2463		
1	1	1OUT	Output terminal of CH1
2	2	1IN-	Negative input terminal of CH1
3	3	1IN+	Positive input terminal of CH1
4	4	GND	Ground
5	7	2IN+	Positive input terminal of CH2
6	8	2IN-	Negative input terminal of CH2
7	9	2OUT	Output terminal of CH2
8	10	V _{CC}	Supply voltage terminal
-	5	$\overline{1SHDN}$	Shutdown1
-	6	$\overline{2SHDN}$	Shutdown2

■ BLOCK DIAGRAM

For LV2462



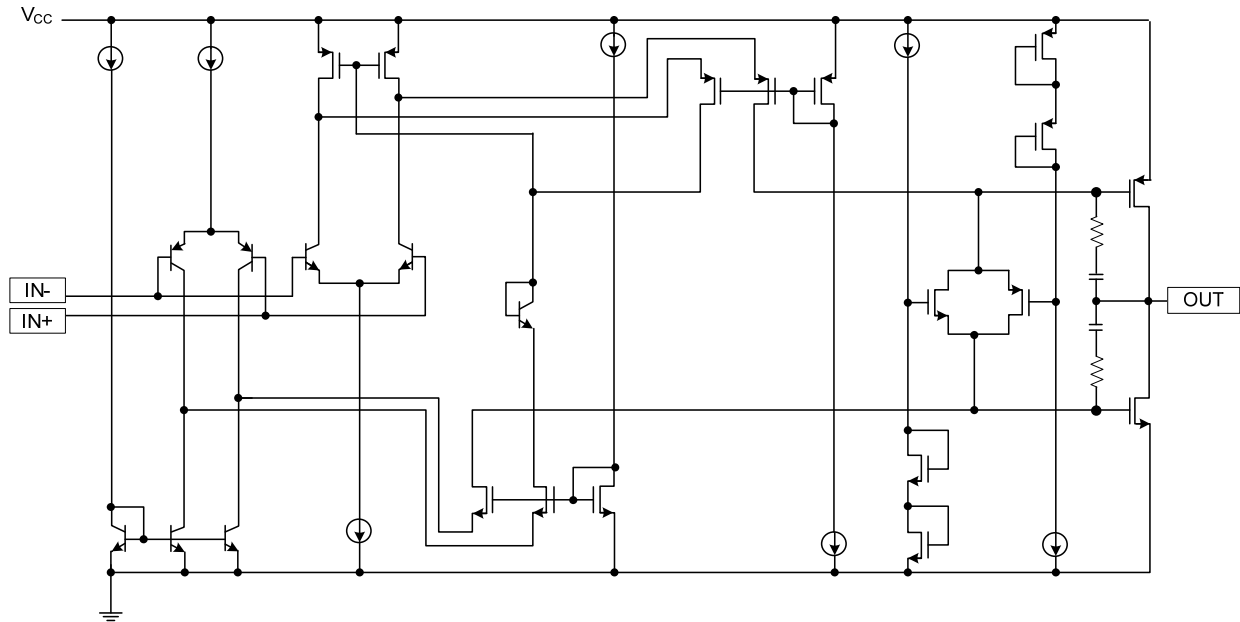
For LV2463



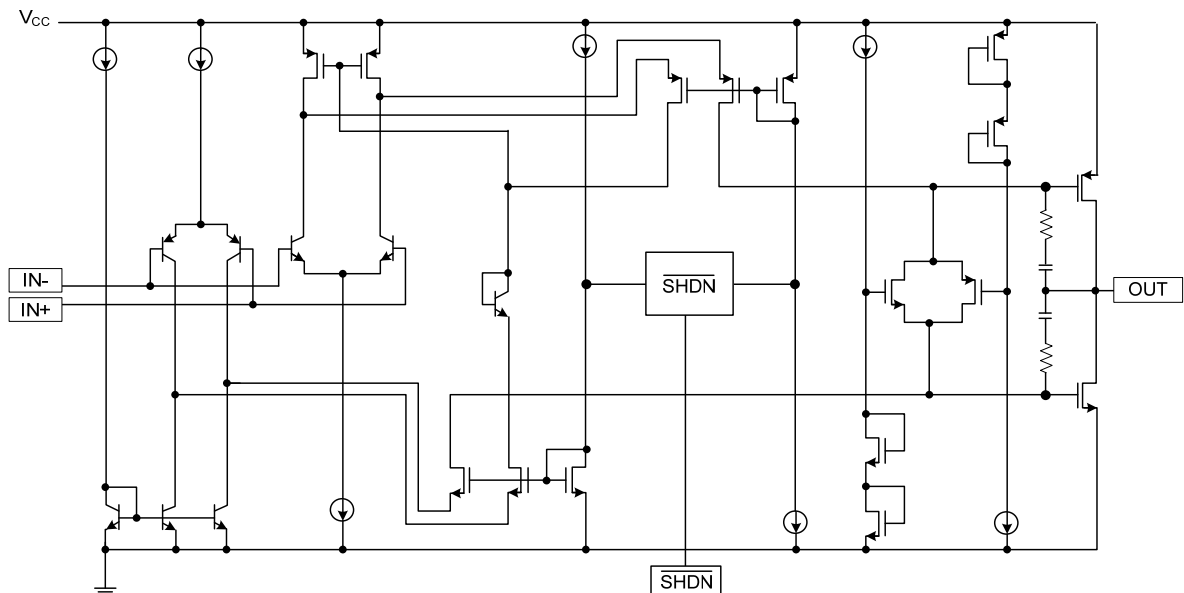
■ BLOCK DIAGRAM (Cont.)

Internal simple circuit (one channel):

For LV2462



For LV2463



■ ABSOLUTE MAXIMUM RATING (T_A=25°C, unless otherwise specified)

PARAMETER		SYMBOL	RATINGS	UNIT
Supply Voltage (Note 2)		V _{CC}	6	V
Differential Input Voltage		V _{ID}	-0.2 ~ V _{CC} +0.2	V
Output Current		I _O	±175	mA
Power Dissipation	T _A ≤25°C	SOP-8	710	mW
		MSOP-8	480	mW
		MSOP-10	485	mW
Operating Free-Air Temperature		T _A	-40 ~ +125	°C
Junction Temperature		T _J	+150	°C
Storage Temperature		T _{STG}	-60 ~ +150	°C

Notes: 1. Absolute maximum ratings are those values beyond which the device could be permanently damaged.

Absolute maximum ratings are stress ratings only and functional device operation is not implied.

2. All voltage values, except differential voltages, are with respect to GND.

■ THERMAL DATA

PARAMETER		SYMBOL	RATINGS	UNIT
Junction to Ambient	SOP-8	θ _{JA}	176	°C/W
	MSOP-8		260	°C/W
	MSOP-10		258	°C/W
Junction to Case	SOP-8	θ _{JC}	38.5	°C/W
	MSOP-8		54.5	°C/W
	MSOP-10		54.1	°C/W

■ RECOMMENDED OPERATING CONDITIONS

PARAMETER		SYMBOL	RATINGS	UNIT
Supply Voltage	Single supply	V _{CC}	2.7 ~ 6	V
	Split supply		±1.35 ~ ±3	V
Common-Mode Input Voltage		V _{ICR}	0 ~ V _{CC}	V
Operating Free-Air Temperature		T _A	-40 ~ 125	°C
Shutdown on/off voltage level (Note 1)		V _{IH MIN}	2	V
		V _{IL MAX}	0.7	V

Note: Relative to voltage on the GND terminal of the device.

■ ELECTRICAL CHARACTERISTICS (T_A=25°C, unless otherwise specified)

V_{CC}=3V

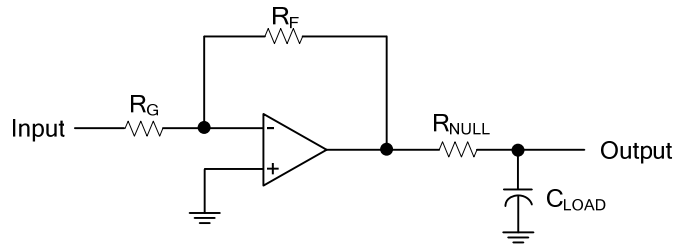
PARAMETER	SYMBOL	TEST CONDITIONS	MIN	TYP	MAX	UNIT
Input Offset Voltage	V _{IO}	V _{CC} =3V, V _{IC} =1.5V, V _O =1.5V, R _S =50Ω		500	2000	μV
Input Offset Current	I _{IO}	V _{CC} =3V, V _{IC} =1.5V, V _O =1.5V,		2.8	7	nA
Input Bias Current	I _{IB}	R _S =50Ω		4.4	14	nA
High-Level Output Voltage	V _{OH}	I _{OH} = -2.5mA		2.9		V
		I _{OH} =-10mA		2.7		V
Low-Level Output Voltage	V _{OL}	V _{IC} =1.5V, I _{OL} =2.5mA		0.1		V
		V _{IC} =1.5V, I _{OL} =10mA		0.3		V
Short-Circuit Output Current	I _{OS}	Sourcing		50		mA
		Sinking		40		mA
Output Current	I _O	Measured 1V form rail		±40		mA
Large-Signal Differential Voltage Amplification	A _{VD}	R _L =10kΩ, V _{O(PP)} =1V	90	105		dB
Differential Input Resistance	r _{I(D)}	T _A =25°C		10 ⁹		Ω
Common-Mode Input Capacitance	C _{I(C)}	f=10kHz, T _A =25°C		7		pF
Closed-Loop Output Impedance	Z _O	f=100kHz, A _V =10, T _A =25°C		33		Ω
Common-Mode Rejection Ratio	CMRR	V _{ICR} =0~3V, R _S =50Ω	66	80		dB
Supply Voltage Rejection Ratio (ΔV _{CC} /ΔV _{IO})	k _{SVR}	V _{CC} =2.7~6V, V _{IC} = V _{CC} /2, No load	80	85		dB
		V _{CC} =3~5V, V _{IC} = V _{CC} /2, No load	85	95		dB
Supply Current (Per Channels)	I _{CC}	V _O =1.5V, No load		0.5	0.575	mA
Supply current in shutdown (LV2463)	I _{CC (SHDN)}	SHDN <0.7V, Per channel in shutdown		0.3		μA
OPWERAING CHARACTERISTICS						
Slew Rate at Unity Gain	SR	V _{O(PP)} =0.8V, R _L =10kΩ, C _L =160pF	0.9	1.6		V/μs
Equivalent Input Noise Voltage	V _N	f=100Hz		16		nV/ √Hz
		f=1kHz		11		
Equivalent Input Noise Current	I _N	f=1kHz		0.13		pA/ √Hz
Total Harmonic Distortion Plus Noise	THD+N	V _{O(PP)} =2V, R _L =10kΩ, f=1kHz	A _V =1	0.006		%
			A _V =10	0.02		%
			A _V =100	0.08		%
Gain-Bandwidth Product		f=10 kHz, C _L =160pF, R _L =10kΩ		5.2		MHz
Setting Time	t _s	V _{(STEP)PP} =2V, R _L =10kΩ, A _V = -1, C _L =10pF	0.1%	1.47		μs
			0.01%	1.78		μs
		V _{(STEP)PP} =2V, R _L =10kΩ, A _V = -1, C _L =56pF	0.1%	1.77		μs
			0.01%	1.98		μs
Phase Margin at Unity Gain	φ _M	R _L =10kΩ, C _L =160pF		44		°
Gain Margin				7		dB

■ ELECTRICAL CHARACTERISTICS (Cont.)

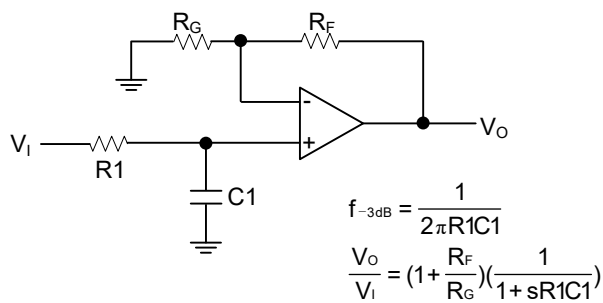
V_{CC}=5V

PARAMETER	SYMBOL	TEST CONDITIONS	MIN	TYP	MAX	UNIT
Input Offset Voltage	V _{IO}	V _{CC} =5V, V _{IC} =2.5V, V _O =2.5V, R _S =50Ω		500	2000	μV
Input Offset Current	I _{IO}	V _{CC} =5V, V _{IC} =2.5V, V _O =2.5V, R _S =50Ω		0.3	7	nA
Input Bias Current	I _{IB}	T _A =25°C		1.3	14	nA
High-Level Output Voltage	V _{OH}	I _{OH} =-2.5mA		4.9		V
		I _{OH} =-10mA		4.8		V
Low-Level Output Voltage	V _{OL}	V _{IC} =2.5V, I _{OL} =2.5mA		0.1		V
		V _{IC} =2.5V, I _{OL} =10mA		0.2		V
Short-Circuit Output Current	I _{OS}	Sourcing		145		mA
		Sinking		100		mA
Output Current	I _O	Measured 1V form rail		±48		mA
Large-Signal Differential Voltage Amplification	A _{VD}	V _{IC} =2.5V, R _L =10kΩ, V _O =1~4V	92	109		dB
Differential Input Resistance	r _{I(D)}	T _A =25°C		10 ⁹		Ω
Common-Mode Input Capacitance	C _{I(C)}	f=10kHz, T _A =25°C		7		pF
Closed-Loop Output Impedance	Z _O	f=100kHz, A _V =10, T _A =25°C		29		Ω
Common-Mode Rejection Ratio	CMRR	V _{ICR} =0~5V, R _S =50Ω	71	85		dB
Supply Voltage Rejection Ratio (ΔV _{CC} /ΔV _{IO})	k _{SVR}	V _{CC} =2.7~6V, V _{IC} =V _{CC} /2, No load	80	85		dB
		V _{CC} =3~5V, V _{IC} =V _{CC} /2, No load	85	95		dB
Supply Current (Per Channels)	I _{CC}	V _O =2.5V, No load		0.55	0.65	mA
Supply current in shutdown (LV2463)	I _{CC (SHDN)}	SHDN < 0.7V, Per channel in shutdown		1		μA
OPERATING CHARACTERISTICS						
Slew Rate at Unity Gain	SR	V _{O(PP)} =2V, C _L =160pF, R _L =10 kΩ	0.9	1.6		V/μs
Equivalent Input Noise Voltage	V _N	f=100Hz		14		nV/ √Hz
		f=1kHz		11		
Equivalent Input Noise Current	I _N	f=1kHz		0.13		pA/ √Hz
Total Harmonic Distortion Plus Noise	THD+N	V _{O(PP)} =4V, R _L =10kΩ, f=1kHz	A _V =1	0.004		%
			A _V =10	0.01		%
			A _V =100	0.04		%
Gain-Bandwidth Product		f=10 kHz, C _L =160pF, R _L =10kΩ		6.4		MHz
Setting Time	t _s	V _{(STEP)PP} =2V, R _L =10kΩ, A _V = -1, C _L =10pF	0.1%	1.53		μs
			0.01%	1.83		μs
		V _{(STEP)PP} =2V, R _L =10kΩ, A _V = -1, C _L =56pF	0.1%	3.13		μs
			0.01%	3.33		μs
Phase Margin at Unity Gain	φ _M			45		°
Gain Margin		R _L =10kΩ, C _L =160pF		7		dB

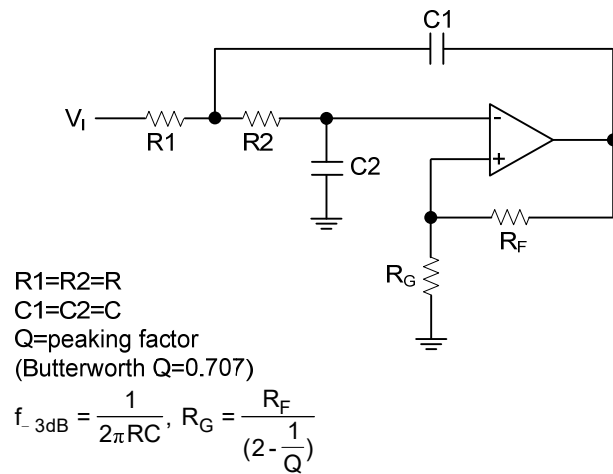
■ TYPICAL APPLICATION CIRCUIT



Driving A Capacitive Load

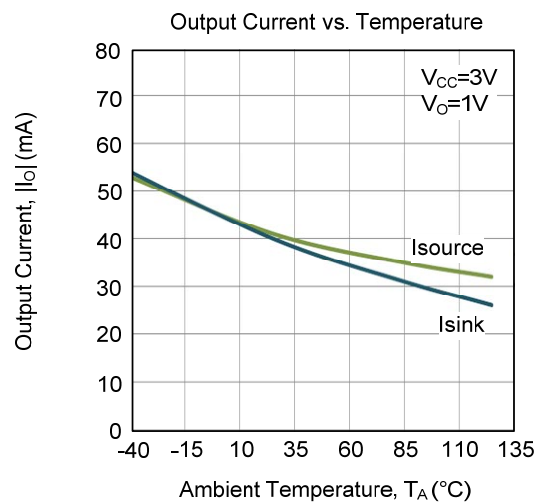
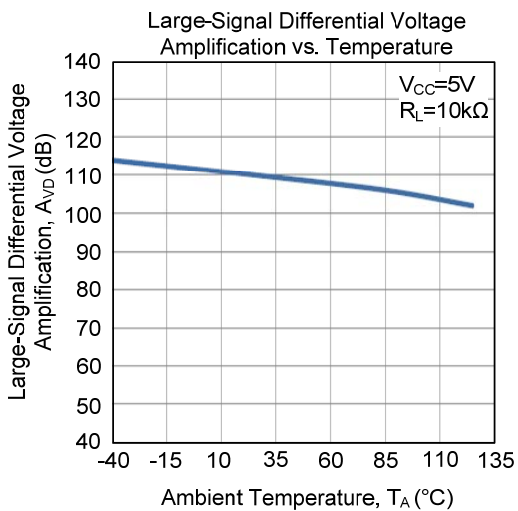
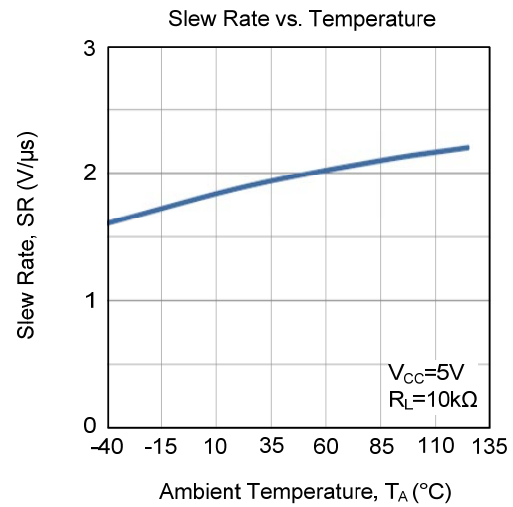
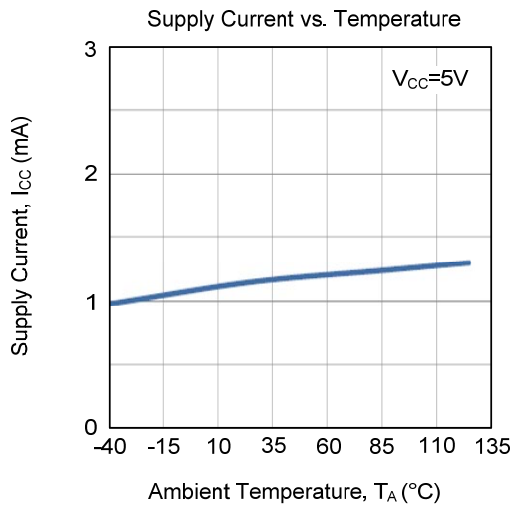


Single-Pole Low-Pass Filter



2-Pole Low-Pass Sallen-Key Filter

■ TYPICAL CHARACTERISTICS



UTC assumes no responsibility for equipment failures that result from using products at values that exceed, even momentarily, rated values (such as maximum ratings, operating condition ranges, or other parameters) listed in products specifications of any and all UTC products described or contained herein. UTC products are not designed for use in life support appliances, devices or systems where malfunction of these products can be reasonably expected to result in personal injury. Reproduction in whole or in part is prohibited without the prior written consent of the copyright owner. UTC reserves the right to make changes to information published in this document, including without limitation specifications and product descriptions, at any time and without notice. This document supersedes and replaces all information supplied prior to the publication hereof.