



USA575A

Preliminary

LINEAR INTEGRATED CIRCUIT

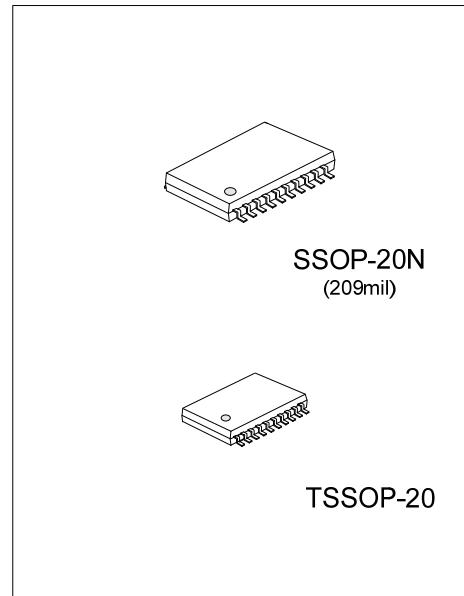
LOW VOLTAGE COMPANDOR

■ DESCRIPTION

The UTC **USA575A** is a precision dual gain control circuit designed for low voltage applications. The UTC **USA575's** channel 1 is an expander, while channel 2 can be configured either for expander, compressor, or automatic level controller (ALC) application.

■ FEATURES

- * Operating voltage range from 3V to 7V
- * Reference voltage of 100mV_{RMS}=0dB
- * 600Ω drive capability
- * One dedicated summing op amp per channel and two extra uncommitted op amps
- * Single or split supply operation
- * Wide input/output swing capability

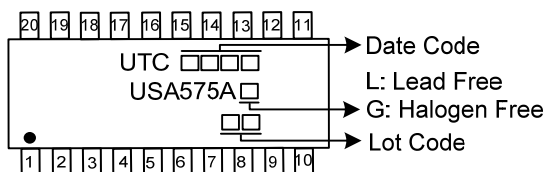


■ ORDERING INFORMATION

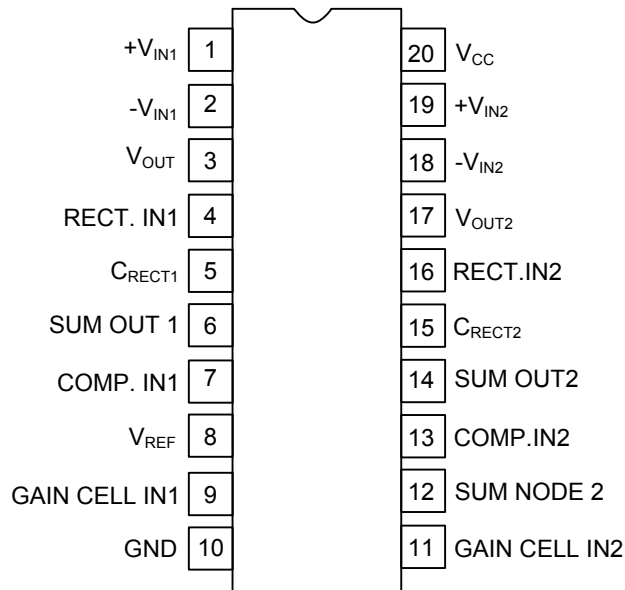
Ordering Number		Package	Packing
Lead Free	Halogen Free		
USA575AL-R20N-R	USA575AG-R20N-R	SSOP-20N	Tape Reel
USA575AL-P20-R	USA575AG-P20-R	TSSOP-20	Tape Reel

<p>USA575AG-R20N-R</p> <p>(1) Packing Type (2) Package Type (3) Green Package</p>	<p>(1) R: Tape Reel (2) R20N: SSOP-20N, P20: TSSOP-20 (3) G: Halogen Free and Lead Free, L: Lead Free</p>
---	---

■ MARKING



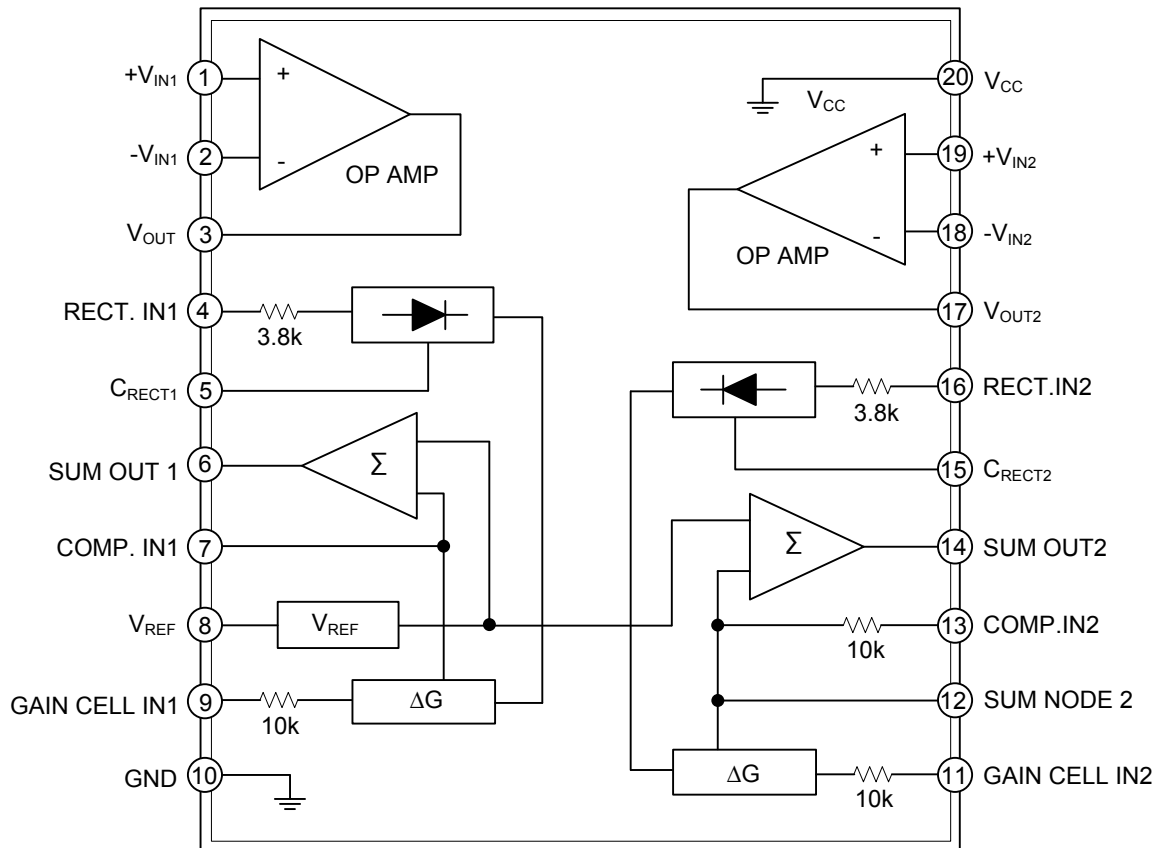
■ PIN CONFIGURATION



■ PIN DESCRIPTION

PIN NO.	PIN NAME	DESCRIPTION
1	+V _{IN1}	Non-Inverted Input 1
2	-V _{IN1}	Inverted Input 1
3	V _{OUT}	Output
4	RECT. IN1	Rectifier 1 Input
5	C _{RECT1}	External Capacitor Pinout for Rectifier 1
6	SUM OUT1	Summation Output 1
7	COMP. IN1	Compensator Pin
8	V _{REF}	Voltage Reference
9	GAIN CELL IN1	Variable Gain Cell Input 1
10	GND	Ground
11	GAIN CELL IN2	Variable Gain Cell Input 2
12	SUM NODE 2	Summation Node 2
13	COMP. IN2	Compensator Pin
14	SUM OUT2	Summation Output 2
15	C _{RECT2}	External Capacitor Pinout for Rectifier 2
16	RECT. IN2	Rectifier 2 Input
17	V _{OUT2}	Output 2
18	-V _{IN2}	Inverted Input 2
19	+V _{IN2}	Non-Inverted Input 2
20	V _{CC}	Positive Power Supply

■ BLOCK DIAGRAM



■ ABSOLUTE MAXIMUM RATING

PARAMETER	SYMBOL	RATINGS	UNIT
Single Supply Voltage	V_{CC}	-0.3 ~ 8	V
Voltage Applied to Any Other Pin	V_{IN}	-0.3 ~ ($V_{CC}+0.3$)	V
Operating Ambient Temperature Range	T_A	-40 ~ +85	°C
Storage Temperature Range	T_{STG}	-65 ~ +150	°C

Note: Absolute maximum ratings are those values beyond which the device could be permanently damaged. Absolute maximum ratings are stress ratings only and functional device operation is not implied.

■ THERMAL DATA

PARAMETER	SYMBOL	RATINGS	UNIT	
Junction to Ambient	SSOP-20N	θ_{JA}	117	°C/W
	TSSOP-20		140	°C/W

■ ELECTRICAL CHARACTERISTICS

(Typical values are at $T_A=25^\circ\text{C}$. Minimum and Maximum values are for the full operating temperature range: $-40\sim+85^\circ\text{C}$, except SSOP package is tested at $+25^\circ\text{C}$ only. $V_{CC}=5\text{V}$, unless otherwise stated. Both channels are tested in the expander mode)

PARAMETER	SYMBOL	TEST CONDITIONS	MIN	TYP	MAX	UNIT
FOR COMPANDOR, INCLUDING SUMMING AMPLIFIER						
Supply Voltage (Note 1)	V_{CC}		3	5	7	V
Supply Current	I_{CC}	No Signal	3	4.2	5.5	mA
Reference Voltage (Note 2)	V_{REF}	$V_{CC}=5\text{V}$	2.4	2.5	2.6	V
Summing Amp Output Load	R_L		10			k Ω
Total Harmonic Distortion	THD	1kHz, 0dB BW=3.5kHz		0.12	1.5	%
Output Voltage Noise	E_{NO}	BW=20kHz, $R_S=0\Omega$		6	30	μV
Unity Gain Level	0dB	1kHz	-1.5		1.5	dB
Output Voltage Offset	V_{OS}	No Signal	-150		150	mV
Output DC Shift		No Signal to 0dB	-100		100	mV
Tracking Error Relative to 0dB		Gain Cell Input=0dB, 1kHz Rectifier Input=6dB, 1kHz	-1.0		1.0	dB
		Gain Cell Input=0dB, 1kHz Rectifier Input=-30dB, 1kHz	-1.0		1.0	dB
Crosstalk		1kHz, 0dB, $C_{REF}=220\mu\text{F}$		-80	-65	dB
FOR OPERATIONAL AMPLIFIER						
Output Swing	V_O	$R_L=10\text{k}\Omega$	$V_{CC}-0.4$	V_{CC}		V
Output Load	R_L	1kHz	600			Ω
Input Common-Mode Range	CMR		0		V_{CC}	V
Common-Mode Rejection Ratio	CMRR		60	80		dB
Input Bias Current	I_B	$V_{IN}=0.5\text{V}\sim 4.5\text{V}$	-1		1	μA
Input Offset Voltage	V_{OS}			3		mV
Open-Loop Gain	A_{VOL}	$R_L=10\text{k}\Omega$		80		dB
Slew Rate	SR	Unity Gain		1		V/ μs
Bandwidth	GBW	Unity Gain		3		MHz
Input Voltage Noise	E_{NI}	BW=20kHz		2.5		μV
Power Supply Rejection Ratio	PSRR	1kHz, 250mV		60		dB

Notes: 1. Operation down to $V_{CC}=2\text{V}$ is possible, but performance is reduced.

2. Reference voltage, V_{REF} , is typically at $1/2V_{CC}$.

■ TYPICAL APPLICATION CIRCUIT

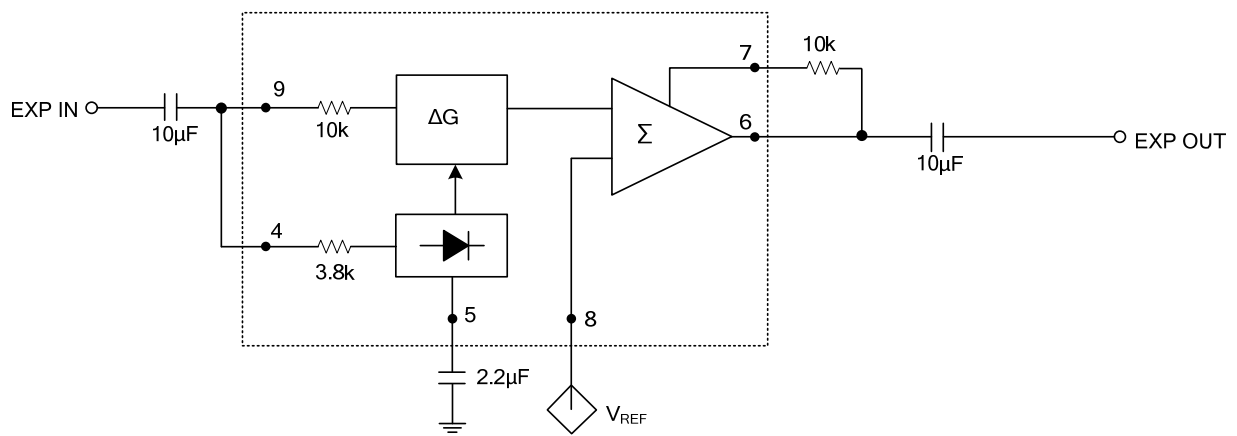


Figure 1. Typical Expander Configuration

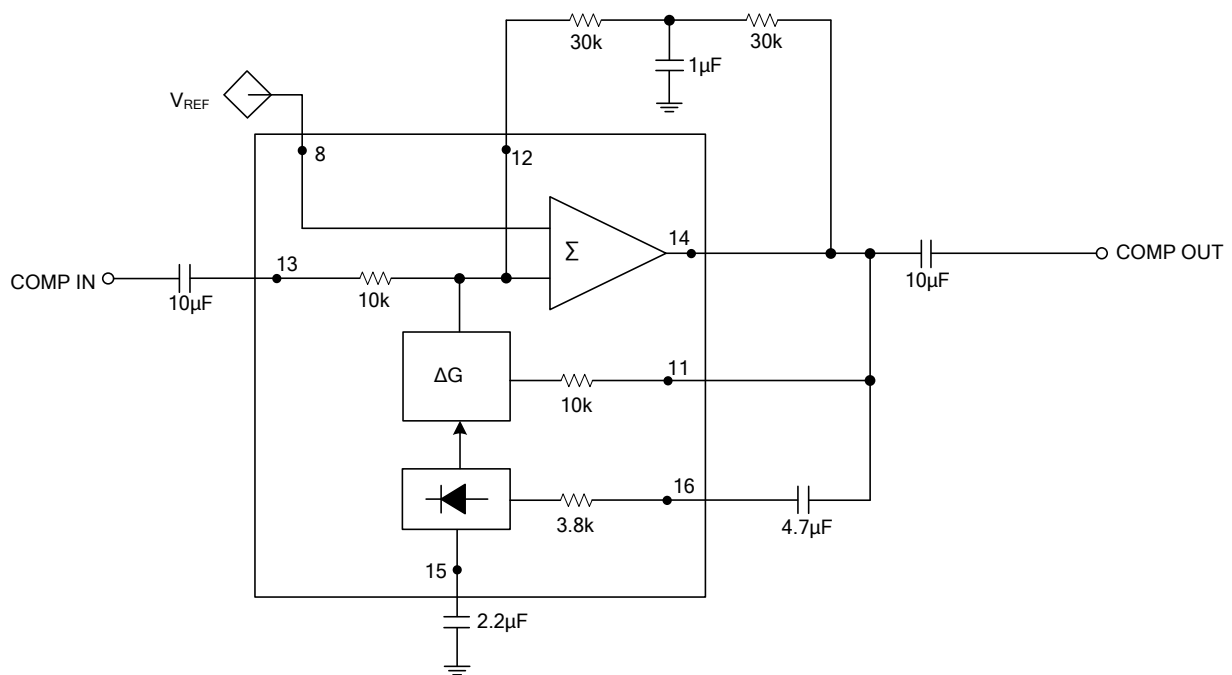


Figure 2. Typical Compressor Configuration

■ TYPICAL APPLICATION CIRCUIT

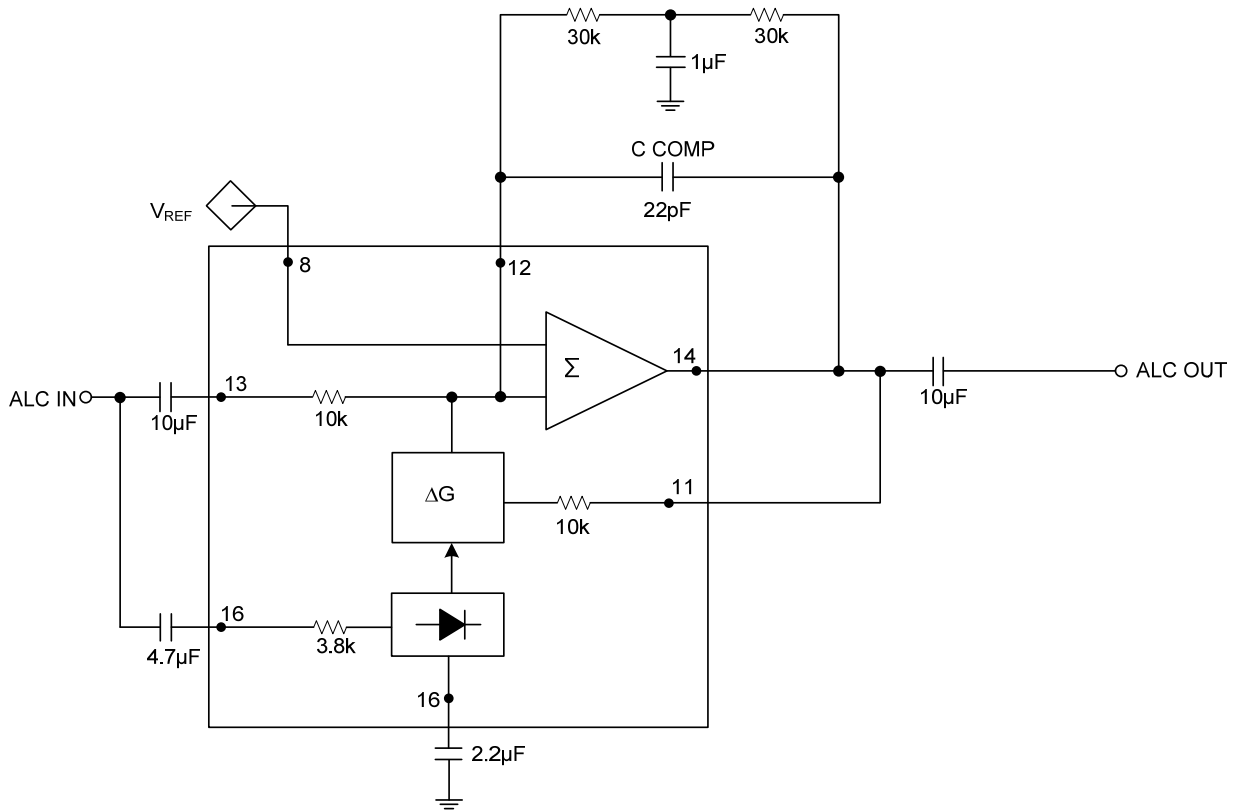
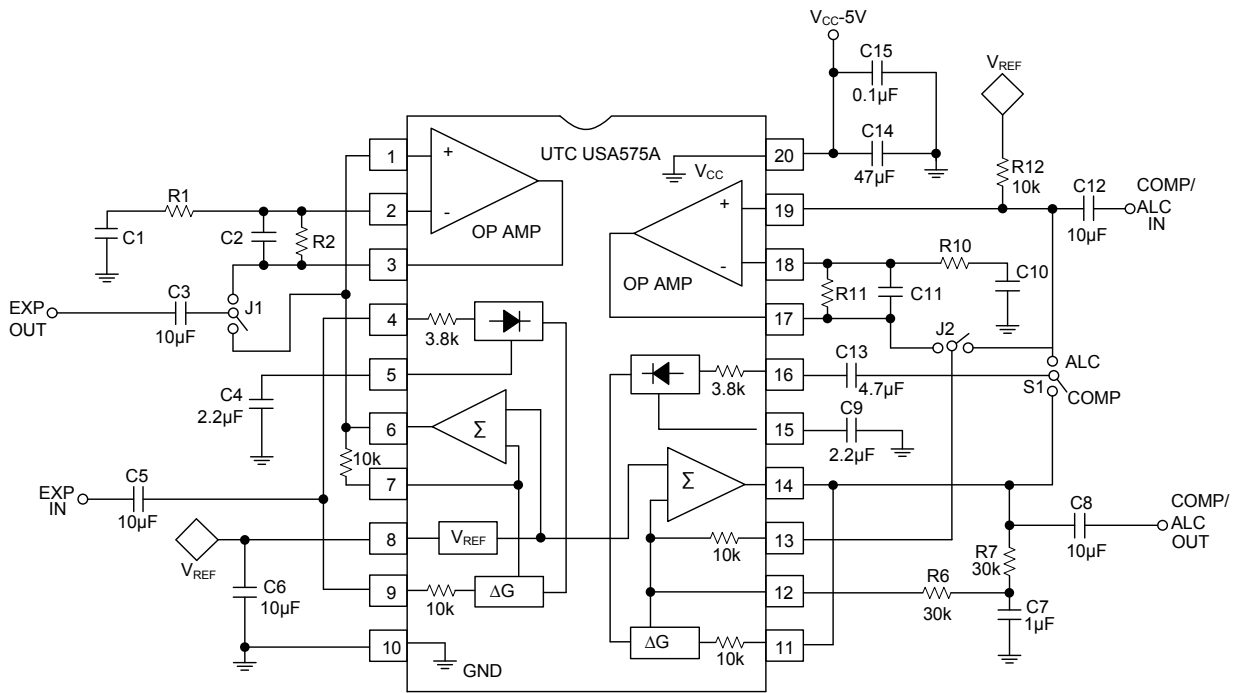


Figure 3. Typical ALC Configuration



UTC assumes no responsibility for equipment failures that result from using products at values that exceed, even momentarily, rated values (such as maximum ratings, operating condition ranges, or other parameters) listed in products specifications of any and all UTC products described or contained herein. UTC products are not designed for use in life support appliances, devices or systems where malfunction of these products can be reasonably expected to result in personal injury. Reproduction in whole or in part is prohibited without the prior written consent of the copyright owner. UTC reserves the right to make changes to information published in this document, including without limitation specifications and product descriptions, at any time and without notice. This document supersedes and replaces all information supplied prior to the publication hereof.