



LOW COST POWER-SAVING MODE PWM CONTROLLER FOR FLYBACK CONVERTERS

■ DESCRIPTION

The UTC **UC3916A** provides a CCM/valley switching mixed mode operation for better efficiency performance. The operation mode stays at CCM at heavy load, and switch to valley switching at light load.

The UTC **UC3916A** is a highly integrated current mode PWM control IC with high voltage start up, optimized for high performance, low standby power consumption and cost effective offline flyback converter applications. At no load condition, the IC operates in power-saving mode for lower standby power, decreasing frequency for Higher conversion efficiency at light load condition.

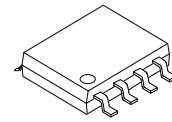
The UTC **UC3916A** contains protection with automatic recovery including OLP (over load protection), OCP (cycle-by-cycle current limiting), and UVLO (V_{DD} over voltage clamp and under voltage lockout). It also provides the protections including OTP (over temperature protection), BNO(AC Brown Out protection) , LNO(AC Over voltage protection), OVP (V_{CC} or DC output over voltage protection) with automatic recovery. To protect the power MOSFET, Gate-drive output is fixed up to 16V max.

The internal slope compensation improves system stability at high PWM duty cycle output. Leading-edge blanking on current sense input removes the signal glitch, which offering minima external component count in the design. Excellent EMI performance is achieved with UTC proprietary frequency hopping technique (ZL201020615247.1) together with soft driver control. Audio noise is eliminated due to switch frequency more than 20kHz during operation.

UTC **UC3916A** is packaged by using tiny SOP-8 package. It has such applications as: battery charger, power adaptor, set-top box power supplies, ink jet printers, open-frame SMPS.

■ FEATURES

- * Proprietary frequency hopping for Improved EMI performance
- * Cycle-by-cycle current limiting
- * CCM/Valley Switching Operation
- * Fixed switch frequency 60~70kHz
- * Dynamic peak current limiting for constant output power
- * Built-in synchronized slope compensation
- * Gate output voltage clamped at 16V
- * Adjustable DC output OVP
- * OLP/ V_{CC} OVP/OTP/BNO/LNO (automatic recovery)
- * Internal Soft Start



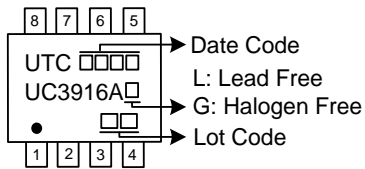
SOP-8

■ **ORDERING INFORMATION**

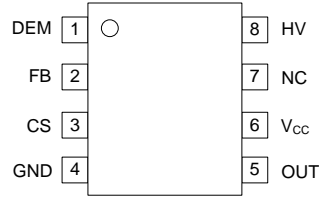
Ordering Number		Package	Packing
Lead Free	Halogen Free		
UC3916AL-S08-R	UC3916AG-S08-R	SOP-8	Tape Reel

<p>UC3916AG-S08-R</p> <p>(1) Packing Type</p> <p>(2) Package Type</p> <p>(3) Green Package</p>	<p>(1) R: Tape Reel</p> <p>(2) S08: SOP-8</p> <p>(3) G: Halogen Free and Lead Free, L: Lead Free</p>
--	--

■ **MARKING**



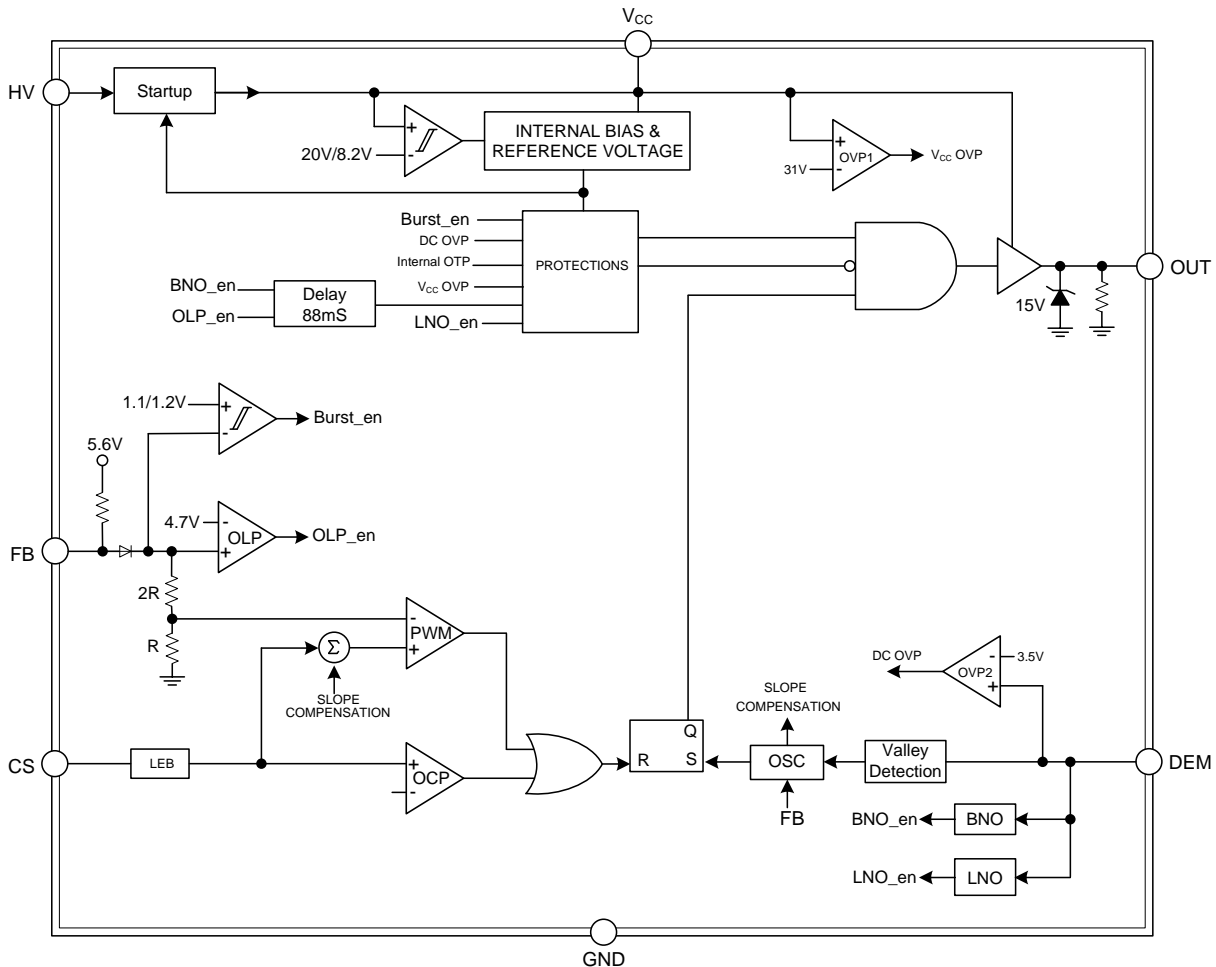
■ PIN CONFIGURATION



■ PIN DESCRIPTION

PIN NO.	PIN NAME	DESCRIPTION
1	DEM	Demagnetization detection signal. This pin can also provide adjustable output voltage OVP and AC brown in/out protection
2	FB	Feedback input pin. The PWM duty cycle is determined by voltage level into this pin and SENSE pin input
3	CS	Current sense input pin. Connected to MOSFET current sensing resistor node
4	GND	Ground
5	OUT	The totem-pole output driver for driving the power MOSFET
6	V _{cc}	Power supply
7	NC	No Connection
8	HV	Connected to line input or bulk capacitor for startup

■ BLOCK DIAGRAM



■ ABSOLUTE MAXIMUM RATING

PARAMETER	SYMBOL	RATINGS	UNIT
Supply Voltage	V_{CC}	-0.3 ~ 36	V
Input Voltage to OUT Pin	V_{OUT}	-0.3 ~ $V_{CC}+0.3$	V
FB, CS, DEM		-0.3 ~ 6	V
Power Dissipation @ $T_A=+25^{\circ}\text{C}$	P_D	400	mW
Junction Temperature	T_J	+150	$^{\circ}\text{C}$
Operating Ambient Temperature	T_{OPR}	-40 ~ +125	$^{\circ}\text{C}$
Storage Temperature Range	T_{STG}	-65 ~ +150	$^{\circ}\text{C}$

Note: Absolute maximum ratings are those values beyond which the device could be permanently damaged. Absolute maximum ratings are stress ratings only and functional device operation is not implied.

■ RECOMMENDED OPERATING CONDITIONS

PARAMETER	SYMBOL	RATINGS	UNIT
Supply Voltage	V_{CC}	11 ~ 28	V
V_{CC} Capacitor		2.2 ~ 4.7	μF

■ THERMAL DATA

PARAMETER	SYMBOL	RATING	UNIT
Junction to Ambient	θ_{JA}	250	$^{\circ}\text{C}/\text{W}$

■ ELECTRICAL CHARACTERISTICS ($V_{CC}=15\text{V}$, $T_A=25^{\circ}\text{C}$, unless otherwise specified)

PARAMETER	SYMBOL	TEST CONDITIONS	MIN	TYP	MAX	UNIT
HV Startup						
Supply Current from HV Pin	I_{HV}	$V_{CC}=2\text{V}$, $HV=50\text{V}$	0.5	1.3	2.5	mA
HV Pin Leakage Current after Startup	Leakage	$V_{CC}=22\text{V}$, $HV=500\text{V}$			10	μA
Supply Voltage						
V_{CC} (ON)			18	20	22	V
V_{CC} (OFF)			7	8.2	9.5	V
Startup Current		$V_{CC}<V_{CC(ON)}-0.5\text{V}$		3.5	15	μA
Operating Current		$V_{FB}=3\text{V}$		0.8		mA
		$V_{FB}=\text{Burst Level}$		0.5		mA
V_{CC} OVP Threshold			29	31	33	V
Oscillator & Switching Frequency						
Switching Frequency			60	65	70	KHz
Temperature Stability		Guaranteed by Design			10	%
Voltage Stability					10	%
Green Mode Frequency			20			KHz
Frequency Spreading Range			-9		+9	%
Max.Duty Cycle	DC_{MAX}	$V_{FB}=3.9\text{V}$	58	62	66	%
Voltage Feedback						
Open Loop Voltage			5.35	5.5	5.65	V
OLP Level			4.45	4.65	4.85	V
OLP De-Bounce Time		$V_{FB}>5\text{V}$	60	88	120	mS
Burst-Mode Enter FB Voltage	V_{FB-IN}			1.07		V
Burst-Mode Quit FB Voltage	V_{FB-OUT}			1.13		V
FB Pin Short Current				240		μA

■ ELECTRICAL CHARACTERISTICS (Cont.)

PARAMETER	SYMBOL	TEST CONDITIONS	MIN	TYP	MAX	UNIT
Current Sensing						
Current Limiting Threshold Voltage with 40% Duty	$V_{CS(OFF)_40\% \text{ Duty}}$		0.83	0.85	0.87	V
Current Limiting Threshold Voltage with 0% Duty	$V_{CS(OFF)_0\% \text{ Duty}}$		0.52	0.57	0.62	V
Lead Edge Blanking Time	T_{LEB}	Guaranteed by Design		350		ns
Soft Start Time				6		mS

■ ELECTRICAL CHARACTERISTICS

PARAMETER	SYMBOL	TEST CONDITIONS	MIN	TYP	MAX	UNIT
Gate Drive Output						
Output Low Level		$V_{CC}=15V, I_{OUT}=-20mA$			1	V
Output High Level		$V_{CC}=15V, I_{OUT}=20mA$	9			V
Rising Time	t_R	10% to 90% of V_{OUT} , $C_L=1nF$		300		nS
Falling Time	t_F	90% to 10% of V_{OUT} , $C_L=1nF$		60		nS
Out Clamping		$V_{CC}=20V$		15		V
Demagnetization (DEM) Detection						
DEM OVP Sampling Instant		Guaranteed by Design		3		μS
DEM OVP Threshold Level			3.4	3.55	3.7	V
DEM OVP De-Bounce Time		Guaranteed by Design		4		Cycles
Demagnetization Detection Level		Guaranteed by Design		220		mV
Demagnetization Delay		Guaranteed by Design		200		nS
DEM_BNI		Guaranteed by Design	47	51	55	μA
DEM_BNO			42.5	46	49.5	μA
BNO De-Bounce Time			60	88	120	mS
Thermal Shut Down						
OTP Threshold				150		$^{\circ}C$

■ APPLICATION NOTE

The UTC UC3916A devices integrate many useful designs into one controller for low-power switch-mode power supplies. The following descriptions highlight some of the features of the UTC UC3916A series.

Internal High Voltage Startup and Under Voltage Lockout (UVLO)

UTC UC3916A integrates HV startup circuit, and provides about 1.3mA current to charge VCC pin during power on state from HV pin. When VCC capacitor voltage is higher than VCC(ON), the charge current is switched off. At this moment, the VCC capacitor provide the current to UTC UC3916A unit the auxiliary winding of the main transformer starts to provide the operation current. In general application, a 51kohm resistor is recommended to be placed in the high voltage path to limit the current. The D1 1N4148 can improve surge capability to 6.6KV.

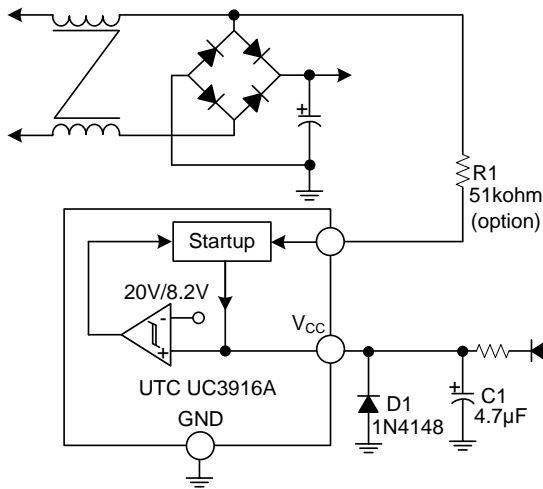


Fig. 1 Startup Circuit (a)

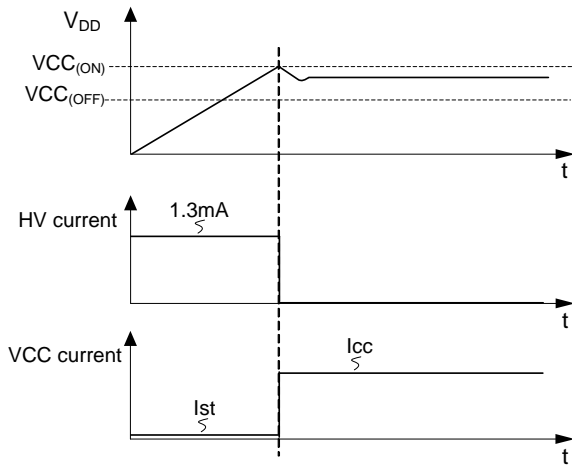
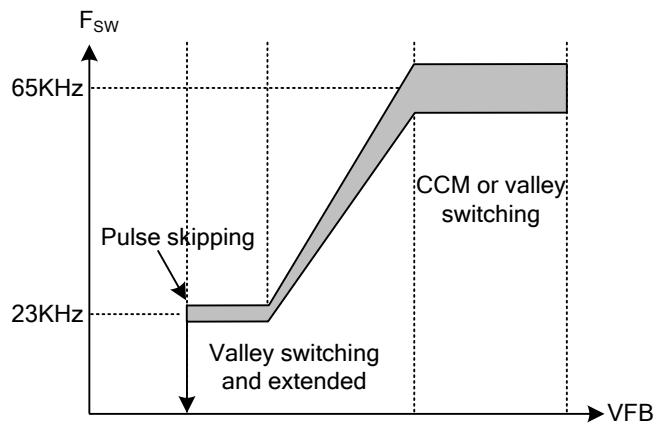


Fig. 1 Startup current Timing (b)

Operation Mode

The UTC UC3916A provides a CCM/valley switching mixed mode operation for better efficiency performance. The operation mode stays at CCM at heavy load, once if the converter enters into DCM, the UTC UC3916A automatically finds the local minimum V_{DS} point and switching at this local valley.

Normally, the conduction loss is dominated at heavy load condition, and the switching loss turns to be larger than conduction loss in light load, especially at 1/4 ~ 1/2 of full load. By this kind of mixed mode operation to have CCM in heavy load and valley switching in light load can optimize the overall average efficiency during the entire operation range.



■ APPLICATION NOTE (Cont.)

As shown in Fig. 3, at deep light-load or no-load condition, the switching loss is the dominant factor. To improve the light-load efficiency, burst mode operation will stop the switching cycle of the OUT pin when FB pin voltage is below “V_{FB_IN}” Level and restart the switching cycle of the OUT pin when FB pin voltage is above “V_{FB_OUT}”.

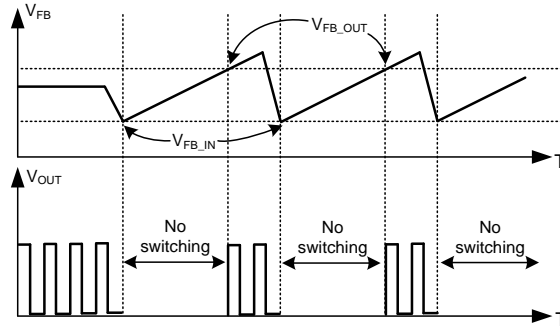


Fig. 3 Burst Mode Operation

Over Voltage Protection on V_{CC} Pin (V_{CC} OVP)

The V_{CC} OVP will shut down the switching of the power MOSFET whenever V_{DD} > V_{OVP}. The OVP event as followed Fig.4.

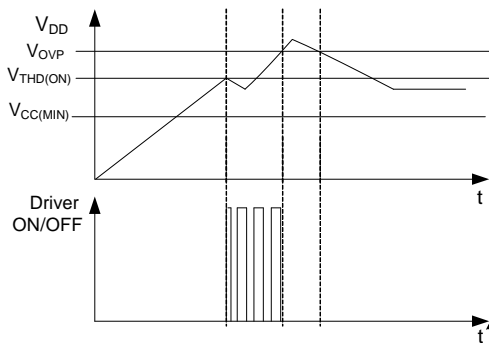


Fig.4 OVP case

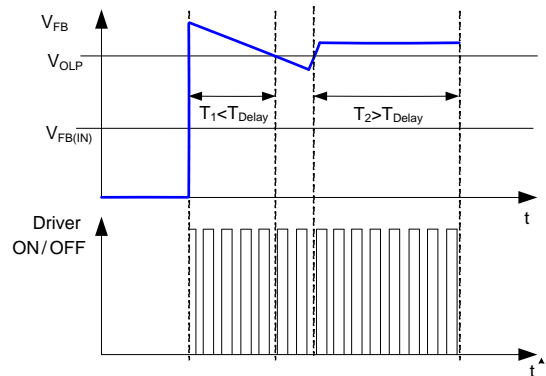


Fig.5 OLP case

Over Load & Open Loop & Output Short Protection (OLP or OSP)

OLP or OSP will shut down driver when V_{FB} > V_{OLP} for continual a blanking time. The OLP or OSP event as followed Fig.5.

Over Temperature Protection (OTP)

OTP will shut down driver when the NTC resistor temperature T_J > T_(THR).

Brown in/out & DEM OVP Protection

To prevent high current stress at too low AC voltage condition, the UTC UC3916A implements an AC brown in/out protection through the DEM pin. The current sourcing out from the DEM pin when the OUT pin is enabled is monitored to have the AC input voltage level information. When the current keeps above the DEM_BNI threshold (50µA, typ.) for more than BNI De-bounce time 7 cycles, the AC brown in condition is issued and the OUT is enabled. Once if the current keeps under the DEM_BNO threshold (45.5µA, typ.) for more than BNO De-bounce time, the AC brown out condition is issued and the OUT is disabled.

The equation is used to calculate the brown in/out level:

$$V_{AC_BNI} = 50\mu \times \frac{R_{DEM_U}}{\sqrt{2}} \times \frac{N_{PRI}}{N_{AUX}} , V_{AC_BNO} = 45.5\mu \times \frac{R_{DEM_U}}{\sqrt{2}} \times \frac{N_{PRI}}{N_{AUX}}$$

■ APPLICATION NOTE (Cont.)

An over voltage protection for Vo is fulfilled by sampling the voltage on the DEM waveform after OUT is turn-off. After a short delay after OUT off, the sampled voltage is compared to the internal over voltage reference is determined whether if an OVP event is occurred. The internal over voltage reference is biased at 3.5V, users can define the resistor divider ratio by the equation below based on the desired OVP level:

$$V_{O_OVP} = 3.5 \times \frac{R_{DEM_U} + R_{DEM_D}}{R_{DEM_D}} \times \frac{N_{SEC}}{N_{AUX}}$$

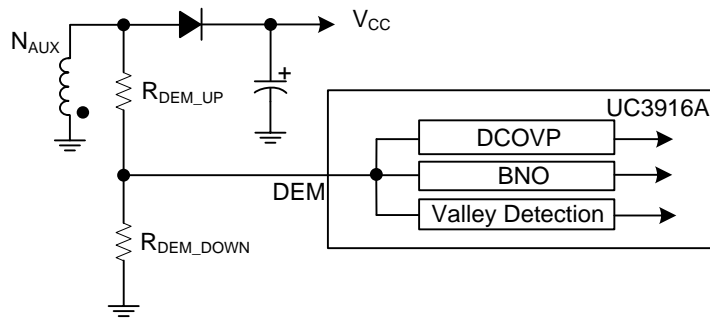


Fig. 6 DEM-Pin Divider

Cycle by Cycle Over-Current Protection (OCP)

In a Flyback topology converter, the main MOSFET switch of the Flyback converter turns on and off rapidly. The energy is stored in the inductor when the MOSFET turns on. The inductor current flowing through the sensing resistor (Rcs) is shown in Fig.7. The current limit is determined by the equation below:

$$I_{PEAK} = \frac{V_{CS}}{R_{CS}}$$

In order to prevent the CS pin from false triggering, an internal leading edge blanking time (350nS Typ.) is added and an external low pass RC filter is also recommended to filter the turn-on spike of CS node.

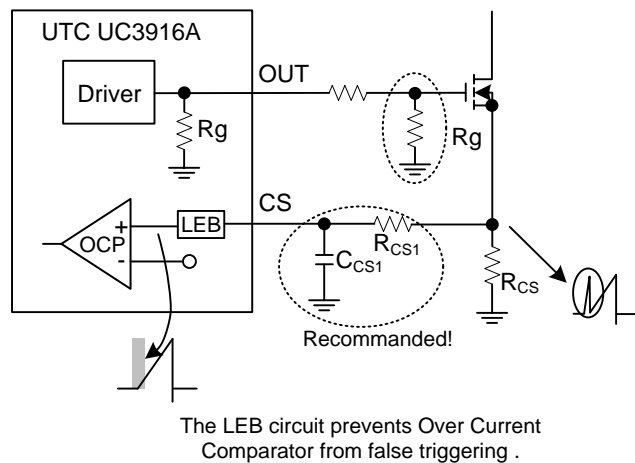
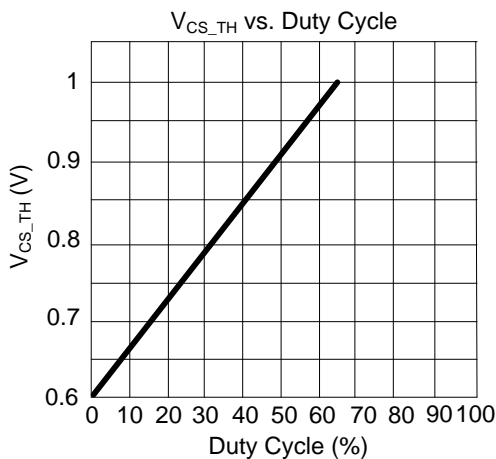
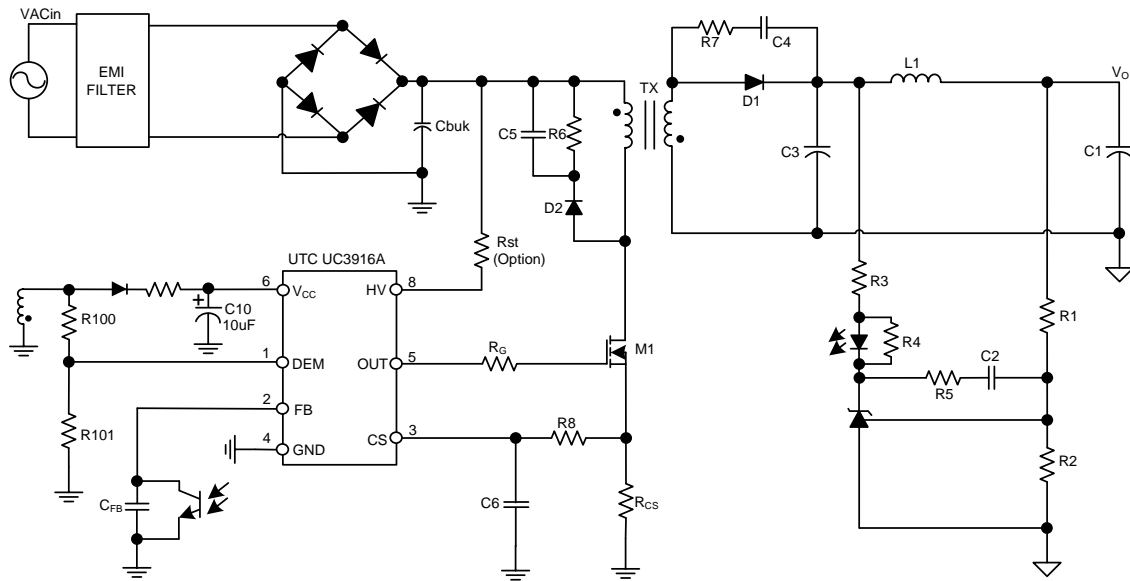


Fig. 7 Current Sensing

■ TYPICAL APPLICATION CIRCUIT



UTC assumes no responsibility for equipment failures that result from using products at values that exceed, even momentarily, rated values (such as maximum ratings, operating condition ranges, or other parameters) listed in products specifications of any and all UTC products described or contained herein. UTC products are not designed for use in life support appliances, devices or systems where malfunction of these products can be reasonably expected to result in personal injury. Reproduction in whole or in part is prohibited without the prior written consent of the copyright owner. UTC reserves the right to make changes to information published in this document, including without limitation specifications and product descriptions, at any time and without notice. This document supersedes and replaces all information supplied prior to the publication hereof.