



UTR2304

Advance

LINEAR INTEGRATED CIRCUIT

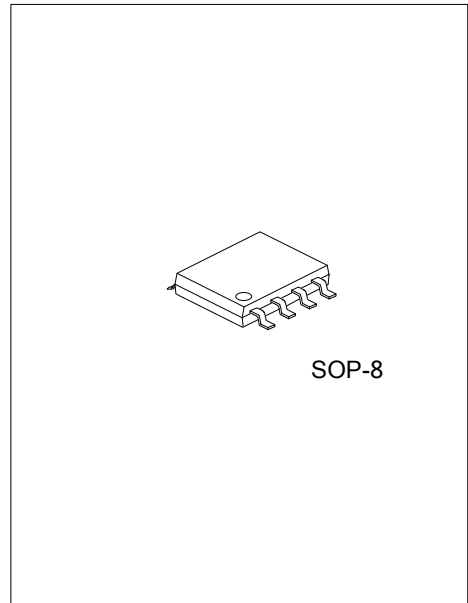
HALF-BRODGE DRIVER

DESCRIPTION

The **UTR2304** is a high voltage, high speed power MOSFET and IGBT driver with independent high-side and low-side referenced output channels. Proprietary HVIC and latch immune CMOS technologies enable ruggedized monolithic construction. The logic input is compatible with standard CMOS or LSTTL output, down to 3.3V logic. The output driver features a high pulse current buffer stage designed for minimum driver cross-conduction. The floating channel can be used to drive an N-channel power MOSFET or IGBT in the high-side configuration which operates up to 600V.

FEATURES

- * Floating channel designed for bootstrap operation
- * Fully operational to 600V
- * Tolerant to negative transient voltage, dV/dt immune
- * Gate drive supply range from 10V to 20V
- * Undervoltage lockout
- * 3.3V, 5V, and 15V input logic compatible
- * Cross-conduction prevention logic
- * Matched propagation delay for both channels
- * Internal 100 ns deadtime
- * Outputs in phase with inputs
- * RoHS compliant

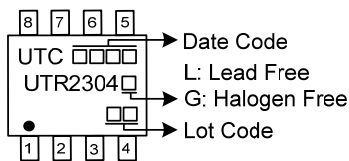


ORDERING INFORMATION

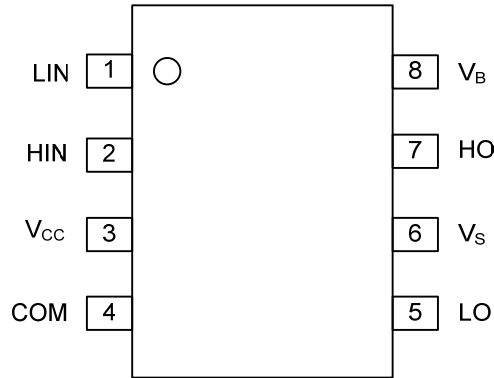
Ordering Number		Package	Packing
Lead Free	Halogen Free		
UTR2304L-S08-R	UTR2304G-S08-R	SOP-8	Tape Reel

<p>UTR2304G-S08-R</p> <ul style="list-style-type: none"> (1) Packing Type (2) Package Type (3) Green Package 	<ul style="list-style-type: none"> (1) R: Tape Reel (2) S08: SOP-8 (3) G: Halogen Free and Lead Free, L: Lead Free
---	---

MARKING



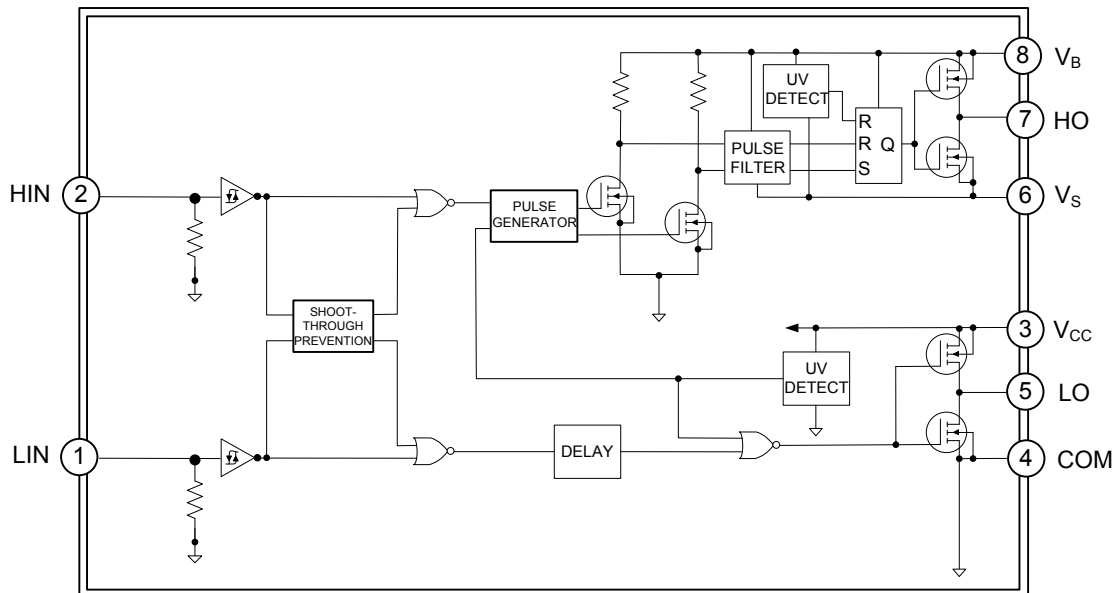
■ PIN CONFIGURATION



■ PIN DESCRIPTION

PIN NO.	PIN NAME	DESCRIPTION
1	LIN	Logic input for low-side gate driver output (LO), out of phase
2	HIN	Logic input for high-side gate driver output (HO), in phase
3	V _{CC}	Low-side and logic fixed supply
4	COM	Low-side return
5	LO	Low-side gate drive output
6	V _S	High-side floating supply return
7	HO	High-side gate drive output
8	V _B	High-side floating supply

■ BLOCK DIAGRAM



■ ABSOLUTE MAXIMUM RATING (T_A=25°C, unless otherwise specified)

PARAMETER	SYMBOL	RATINGS	UNIT
High-Side Floating Absolute Voltage	V _B	-0.3 ~ 625	V
High-Side Floating Supply Offset Voltage	V _S	V _B -25 ~ V _B +0.3	V
High-Side Floating Output Voltage	V _{HO}	V _S -0.3 ~ V _S +0.3	V
Low-Side and logic Fixed Supply Voltage	V _{CC}	-0.3 ~ 25	V
Low-Side Output Voltage	V _{LO}	-0.3 ~ V _{CC} +0.3	V
Logic Input Voltage (HIN & LIN)	V _{IN}	-0.3 ~ V _{CC} +0.3	V
Allowable Offset Supply Voltage Transient	dVs/dt	50	V
Power Dissipation	P _D	1	W
Maximum Junction Temperature	T _J	+150	°C
Maximum Storage Temperature Range	T _{STG}	-55 ~ +150	°C

Notes: 1. Absolute maximum ratings are those values beyond which the device could be permanently damaged. Absolute maximum ratings are stress ratings only and functional device operation is not implied.

2. All voltage parameters are absolute voltages referenced to COM. The thermal resistance and power dissipation ratings are measured under board mounted and still air conditions.

■ RECOMMENDED OPERATING RATINGS

PARAMETER	SYMBOL	RATINGS	UNIT
High-Side Floating Absolute Voltage	V _B	V _S +10 ~ V _S +20	V
High-Side Floating Supply Offset Voltage	V _S	600 (Note)	V
High-Side Floating Output Voltage	V _{HO}	V _S ~ V _B	V
Low-Side and logic Fixed Supply Voltage	V _{CC}	10 ~ 20	V
Low-Side Output Voltage	V _{LO}	0 ~ V _{CC}	V
Logic Input Voltage (HIN & LIN)	V _{IN}	0 ~ V _{CC}	V
Ambient Temperature	T _A	-40 ~ +125	°C

Note: Logic operational for V_S of -5V to +600V. Logic state held for V_S of -5V to -V_{BS}..

■ THERMAL DATA

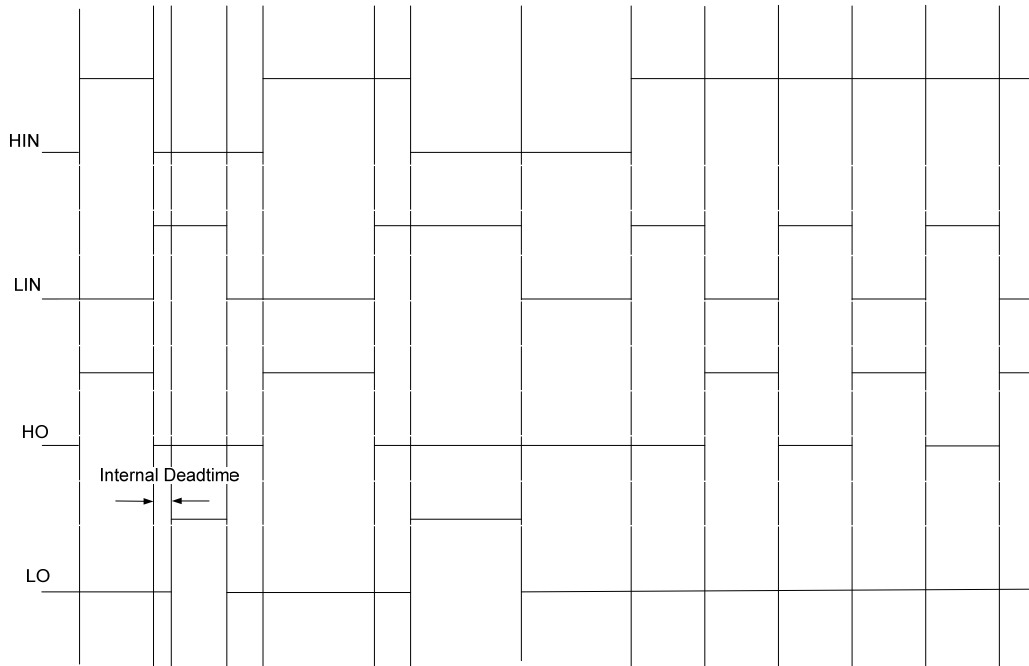
PARAMETER	SYMBOL	RATINGS	UNIT
Junction to Ambient	θ _{JA}	125	°C/W

■ ELECTRICAL CHARACTERISTICS

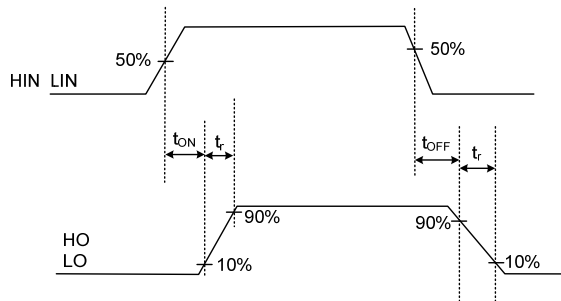
[V_{BIAS} (V_{CC} , V_{BS})=15V and $T_A=25^\circ\text{C}$ unless otherwise specified. The V_{IN} , V_{TH} , and I_{IN} parameters are referenced to COM. The V_O and I_O parameters are referenced to COM and are applicable to the respective output leads: HO or LO.]

PARAMETER	SYMBOL	TEST CONDITIONS	MIN	TYP	MAX	UNIT
Turn-ON Propagation Delay	t_{on}	$V_S=0V$		150	210	ns
Turn-OFF Propagation Delay	t_{OFF}	$V_S=600V$		150	210	ns
Turn-ON Rise Time	t_r			70	120	ns
Turn-OFF Fall Time	t_f			35	60	ns
Delay matching, HS & LS Turn-ON/OFF	MT				190	ns
Logic "1" (HIN) & Logic "0" (LIN) Input Voltage	V_{IH}	$V_{CC}=10V\sim 20V$	2.5			V
Logic "0" (HIN) & Logic "1" (LIN) Input Voltage	V_{IL}				0.8	V
High Level Output Voltage, $V_{BIAS} - V_O$	V_{OH}	$I_O=2mA$		0.05	0.2	V
Low Level Output Voltage, V_O	V_{OL}			0.02	0.1	V
Offset Supply Leakage Current	I_{LK}	$V_B=V_S=600V$			50	μA
Quiescent V_{BS} Supply Current	I_{QBS}	$V_{IN}=0V$ or $5V$		60	150	μA
Quiescent V_{CC} Supply Current	I_{QCC}			120	240	μA
Logic "1" Input Bias Current	I_{IN+}	$V_{IN}=5V$		5	40	μA
Logic "0" Input Bias Current	I_{IN-}	$V_{IN}=0V$		1	5	μA
V_{CC} Supply Undervoltage Positive Going Threshold	V_{CCUV+}		8	8.9	9.8	V
V_{CC} Supply Undervoltage Negative Going Threshold	V_{CCUV-}		7.4	8.2	9	V
Output High Short Circuit Pulsed Current	I_{O+}	$V_{IN}=0V$, $V_O=0V$	60	290		mA
Output Low Short Circuit Pulsed Current	I_{O-}	$P_W \leq 10\mu s$, $V_O=15V$	130	600		mA

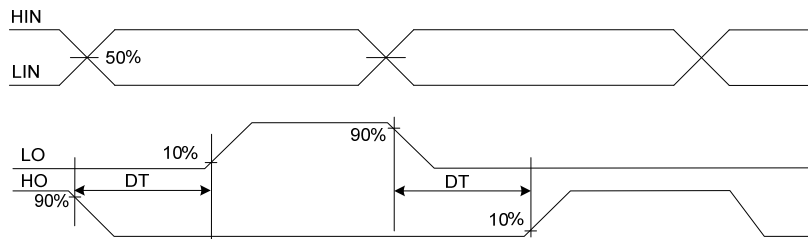
■ TEST CIRCUIT AND WAVEFORMS



INPUT/OUTPUT FUNCTIONALITY DIAGRAM

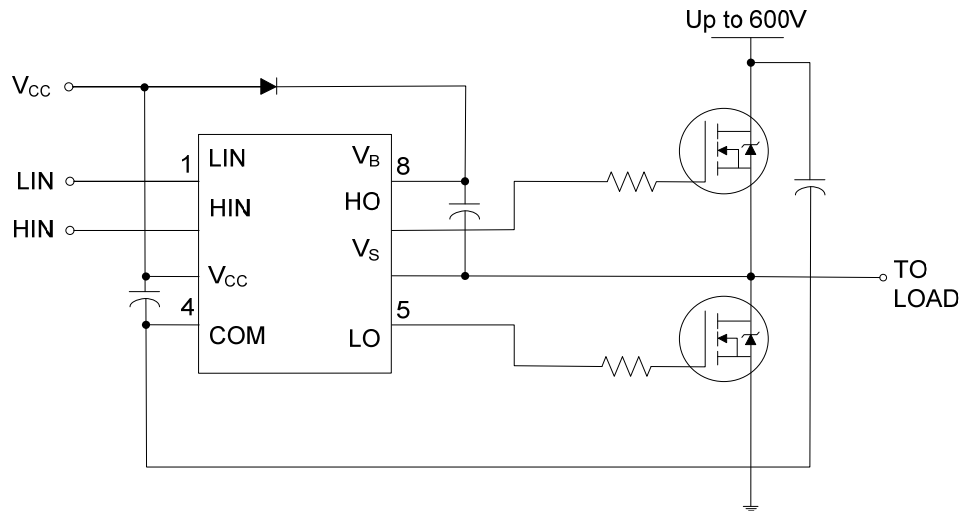


SWITCHING TIME WAVEFORMS



INTERNAL DEADTIME TIMING

■ TYPICAL APPLICATION CIRCUIT



UTC assumes no responsibility for equipment failures that result from using products at values that exceed, even momentarily, rated values (such as maximum ratings, operating condition ranges, or other parameters) listed in products specifications of any and all UTC products described or contained herein. UTC products are not designed for use in life support appliances, devices or systems where malfunction of these products can be reasonably expected to result in personal injury. Reproduction in whole or in part is prohibited without the prior written consent of the copyright owner. UTC reserves the right to make changes to information published in this document, including without limitation specifications and product descriptions, at any time and without notice. This document supersedes and replaces all information supplied prior to the publication hereof.