



3A ULTRA LOW DROPOUT LINEAR REGULATOR

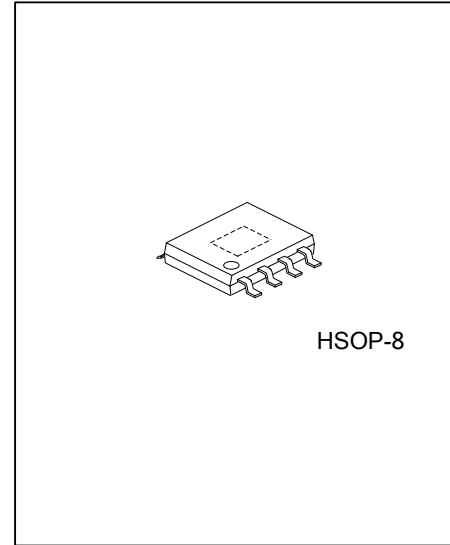
DESCRIPTION

The UTC **LXXLD38** is a typical LDO with the features of very low dropout voltage as low as 0.20V at output current 3A.

For normal operation, two supply voltages are necessary. One called control voltage from other equipment can shutdown the output voltage and it should pull and hold the voltage of EN pin less than 0.4V. Another one is the main supply voltage whose purpose is for main power conversion, to keep the power dissipation low, and to make the dropout voltage lower.

Internally, in the UTC **LXXLD38**, there're many functions which can be seen in the block figure to prevent the IC from being damaged. Internal Power-On-Reset (POR) circuit can control the two supply voltages to prevent fault operations of the circuit; the thermal shutdown circuit is able to protect the device from over thermal operation, and a current limit function will keep the device work safely under current over-loads.

The UTC **LXXLD38** can be used as an ideal to provide well supply voltage in the applications, such as front-side-bus termination on motherboard, NB applications, front side bus V_{TT} (1.0V/3A) and note book PC applications.



FEATURES

- * Low Dropout $V_D=0.20V(\text{typ.})@ I_{OUT}=3A$
- * Low ESR Output Capacitor
- * $V_{REF}=0.5V$
- * Fast Transient Response
- * Output Voltage Adjustable through External Resistors
- * POR(Power-On-Reset) controlling V_{CNTL} and V_{IN}
- * With internal Soft-Start
- * Internal Current Limit Protection
- * Internal Under Voltage Protection
- * Hysteretic Thermal Shutdown
- * With Power-OK Output (with a Delay Time)
- * Low Shutdown Quiescent Current ($<30\mu A$)
- * Shutdown/Enable Control Function

ORDERING INFORMATION

Ordering Number		Package	Packing
Lead Free	Halogen Free		
LXXLD38L-SH2-R	LXXLD38G-SH2-R	HSOP-8	Tape Reel

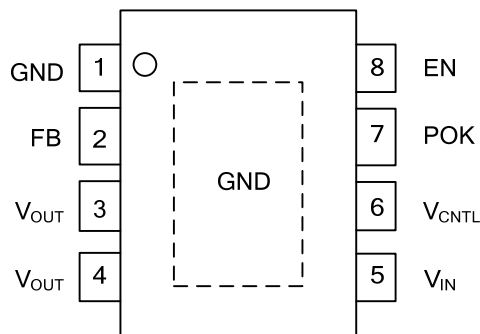
Note: XX: Output Voltage, refer to Marking Information.

<p>LXXLD38G-SH2-R</p> <p>(1) Packing Type</p> <p>(2) Package Type</p> <p>(3) Green Package</p> <p>(4) Output Voltage Code</p>	<p>(1) R: Tape Reel</p> <p>(2) SH2: HSOP-8</p> <p>(3) G: Halogen Free and Lead Free, L: Lead Free</p> <p>(4) XX: refer to Marking Information</p>
---	---

MARKING INFORMATION

PACKAGE	VOLTAGE CODE	MARKING
HSOP-8	AD :ADJ	<p>8 7 6 5 UTC □□□□ LXXLD38□ □□ 1 2 3 4</p> <p>Voltage Code ←</p> <p>→ Date Code → L: Lead Free → G: Halogen Free → Lot Code</p>

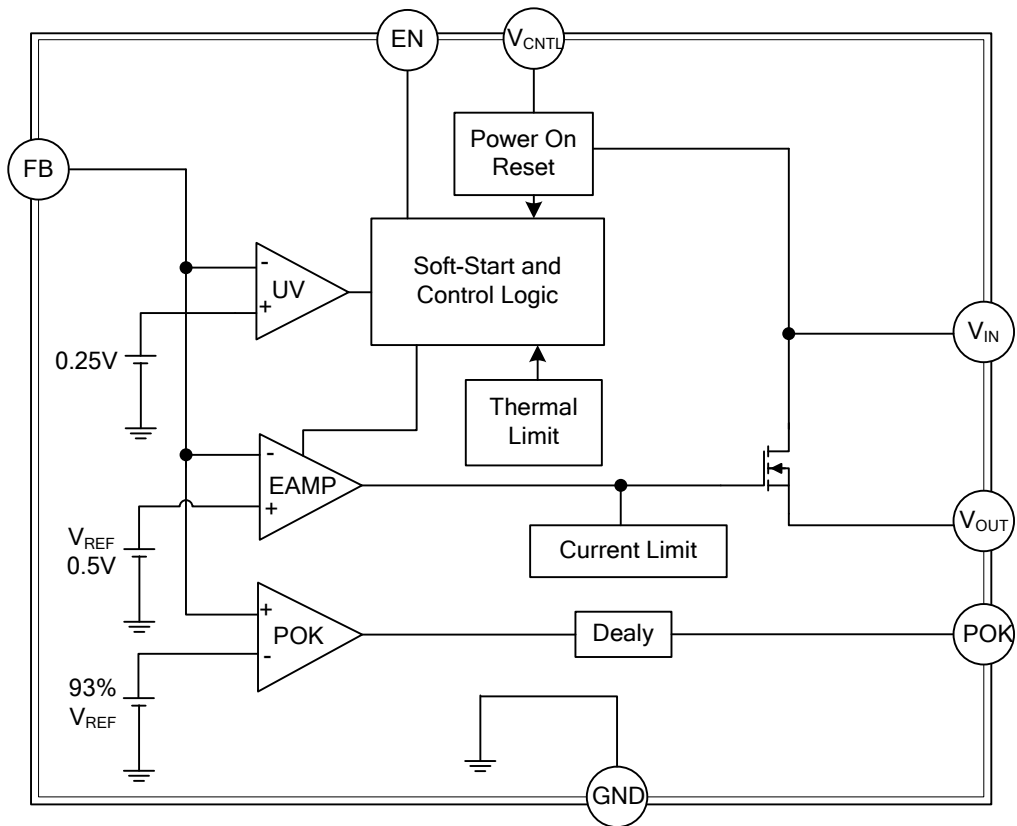
PIN CONFIGURATION



PIN DESCRIPTION

PIN NO.	PIN NAME	DESCRIPTION
1	GND	GND pin
2	FB	Feedback pin
3, 4	V _{OUT}	IC power supply pin
5	V _{IN}	Input Voltage
6	V _{CNTL}	CNTL Pin Input Voltage
7	POK	Power OK Output Pin
8	EN	Internal Pull High. EN=high or Floating→ Enable EN=Low→Shutdown mode
Exposed Pad	GND	Connect exposed pad to GND.

■ BLOCK DIAGRAM



■ ABSOLUTE MAXIMUM RATING

PARAMETER	SYMBOL	RATINGS	UNIT
V _{CNTL} Supply Voltage	V _{CNTL}	-0.3 ~ 7	V
V _{IN} Supply Voltage	V _{IN}	-0.3 ~ 6	V
EN and FB Pin Voltage	V _{I/O}	-0.3 ~ V _{CNTL} +0.3	V
Power Good Voltage	V _{POK}	-0.3 ~ 7	V
Power Dissipation	P _D	2.5	W
Junction Temperature	T _J	+150	°C
Storage Temperature	T _{STG}	-65 ~ +150	°C

Note: Absolute maximum ratings are those values beyond which the device could be permanently damaged. Absolute maximum ratings are stress ratings only and functional device operation is not implied.

■ RECOMMENDED OPERATING CONDITIONS

PARAMETER	SYMBOL	RATINGS	UNIT
V _{CNTL} Supply Voltage	V _{CNTL}	3 ~ 5.5	V
V _{IN} Supply Voltage	V _{IN}	0.9 ~ 3.65	V
Output Voltage	V _{CNTL} -V _{OUT} >1.9V V _{OUT}	0.6 ~ V _{IN} -V _{DROP}	V
Output Current	I _{OUT}	0 ~ 3	A

■ THERMAL DATA

PARAMETER	SYMBOL	RATINGS	UNIT
Junction to Ambient	θ _{JA}	220	°C/W

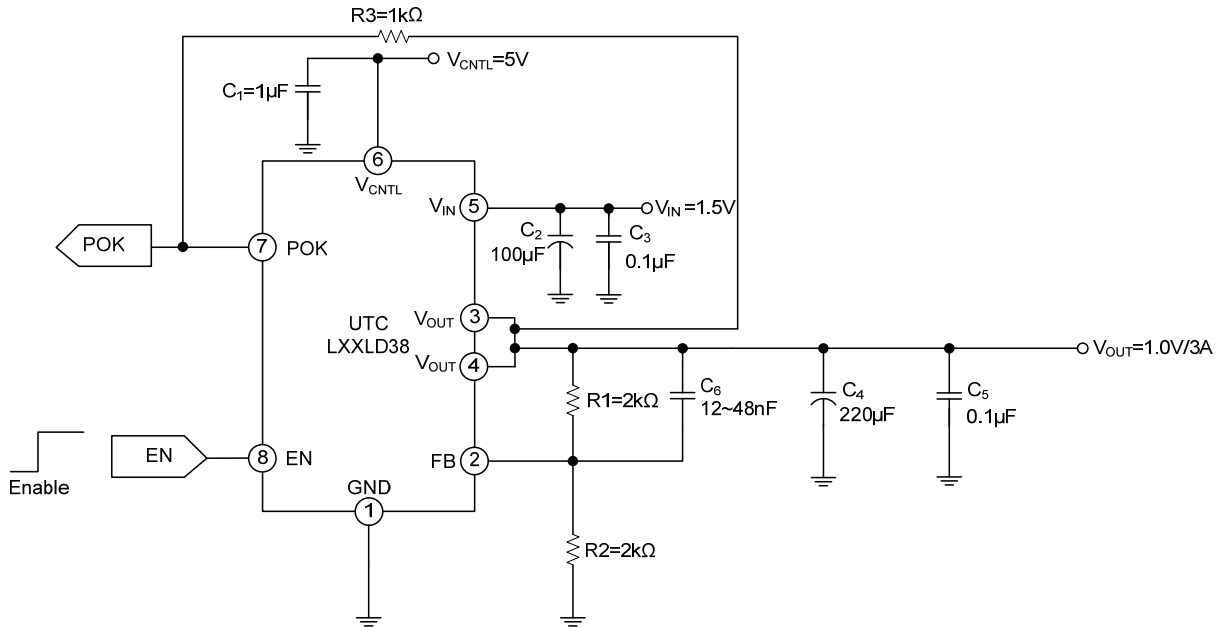
■ ELECTRICAL CHARACTERISTICS

($V_{\text{CNTL}}=5\text{V}$, $V_{\text{IN}}=1.5\text{V}$, $V_{\text{OUT}}=1.0\text{V}$, $T_{\text{A}}=25^{\circ}\text{C}$ unless otherwise specified)

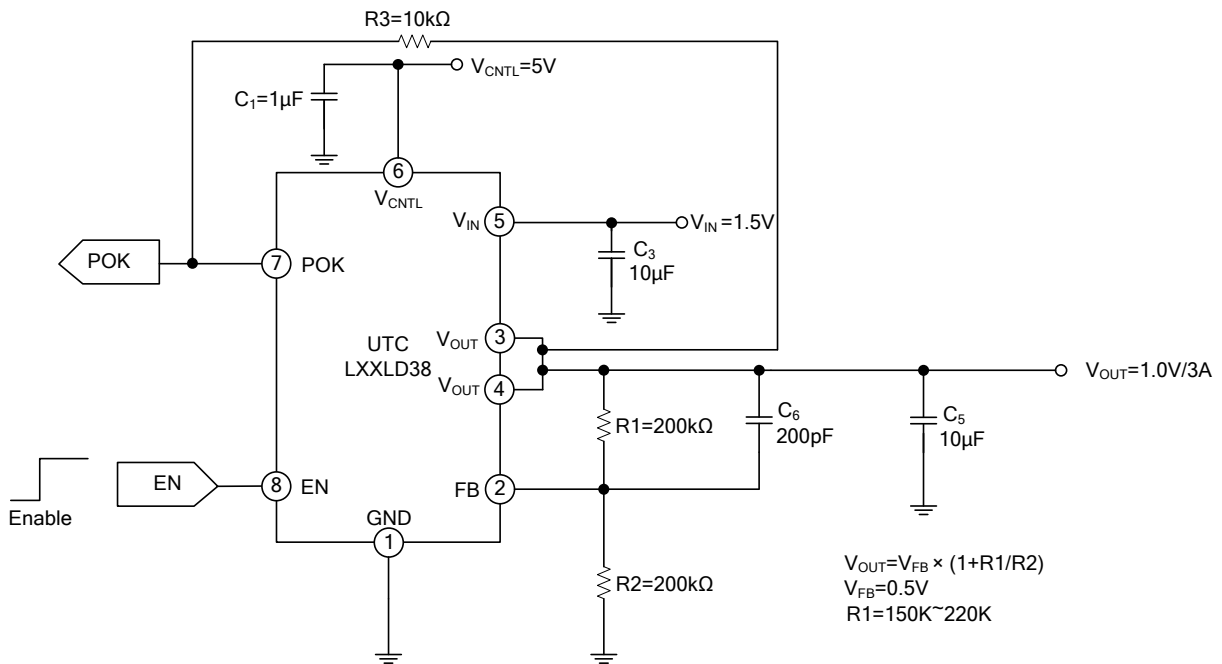
PARAMETER	SYMBOL	TEST CONDITIONS	MIN	TYP	MAX	UNIT
V_{CNTL} POR Threshold	V_{CNTL}			2.4		V
V_{CNTL} POR Hysteresis	$V_{\text{CNTL(hys)}}$			0.5		V
V_{IN} POR Threshold	V_{IN}			0.6		V
V_{IN} POR Hysteresis	$V_{\text{IN(hys)}}$			0.4		V
V_{CNTL} Nominal Supply Current	I_{CNTL}	EN= V_{CNTL}		1.0	3.0	mA
V_{CNTL} Shutdown Current	I_{SD}	EN=0V		15	50	μA
Feedback Voltage	V_{FB}	$V_{\text{CNTL}}=5\text{V}$, $I_{\text{OUT}}=10\text{mA}$	0.49	0.5	0.51	V
Load Regulation		$I_{\text{OUT}}=0\text{A}\sim 3\text{A}$		0.2	0.6	%
Line Regulation		$V_{\text{CNTL}}=V_{\text{EN}}=5\text{V}$ $V_{\text{IN}}=V_{\text{OUT}}+0.5\text{V}\sim 5\text{V}$ $I_{\text{OUT}}=10\text{mA}$		0.01	0.1	%/V
Dropout Voltage	V_{DROPP}	$I_{\text{OUT}}=3\text{A}$, $V_{\text{CNTL}}=5\text{V}$, $V_{\text{OUT}}=0.9\text{V}$		0.20		V
V_{OUT} Pull Low Resistance		EN=0V		85		Ω
Soft Start Time	T_{SS}			2		mS
EN Pin Logic High Threshold Voltage	V_{ENH}	Enable	1.2			V
	V_{ENL}	Disable			0.4	V
EN Hysteresis				50		mV
EN Pin Pull-Up Current	I_{EN}	EN=GND		10		μA
Current Limit	I_{LIM}	$V_{\text{CNTL}}=5\text{V}$	3.5			A
Ripple Rejection	V_{IN}	PSRR F=120Hz, $I_{\text{OUT}}=100\text{mA}$		65		dB
	V_{CNTL}			65		dB
Under-Voltage Threshold		V_{FB} Falling		0.25		V
POK Threshold Voltage for Power OK	V_{POK}	V_{FB} Rising		93%		V_{FB}
POK Threshold Voltage for Power Not OK	V_{PNOK}	V_{FB} Falling		85%		V_{FB}
POK Low Voltage		POK sinks 5mA		0.25	0.4	V
Thermal Shutdown Temp	T_{SD}			160		$^{\circ}\text{C}$
Thermal Shutdown Hysteresis	T_{SH}			50		$^{\circ}\text{C}$

■ TYPICAL APPLICATION CIRCUIT

1. Using an Output Capacitor with ESR ≥ 20mΩ



2. Using an MLCC as the Output Capacitor



UTC assumes no responsibility for equipment failures that result from using products at values that exceed, even momentarily, rated values (such as maximum ratings, operating condition ranges, or other parameters) listed in products specifications of any and all UTC products described or contained herein. UTC products are not designed for use in life support appliances, devices or systems where malfunction of these products can be reasonably expected to result in personal injury. Reproduction in whole or in part is prohibited without the prior written consent of the copyright owner. UTC reserves the right to make changes to information published in this document, including without limitation specifications and product descriptions, at any time and without notice. This document supersedes and replaces all information supplied prior to the publication hereof.