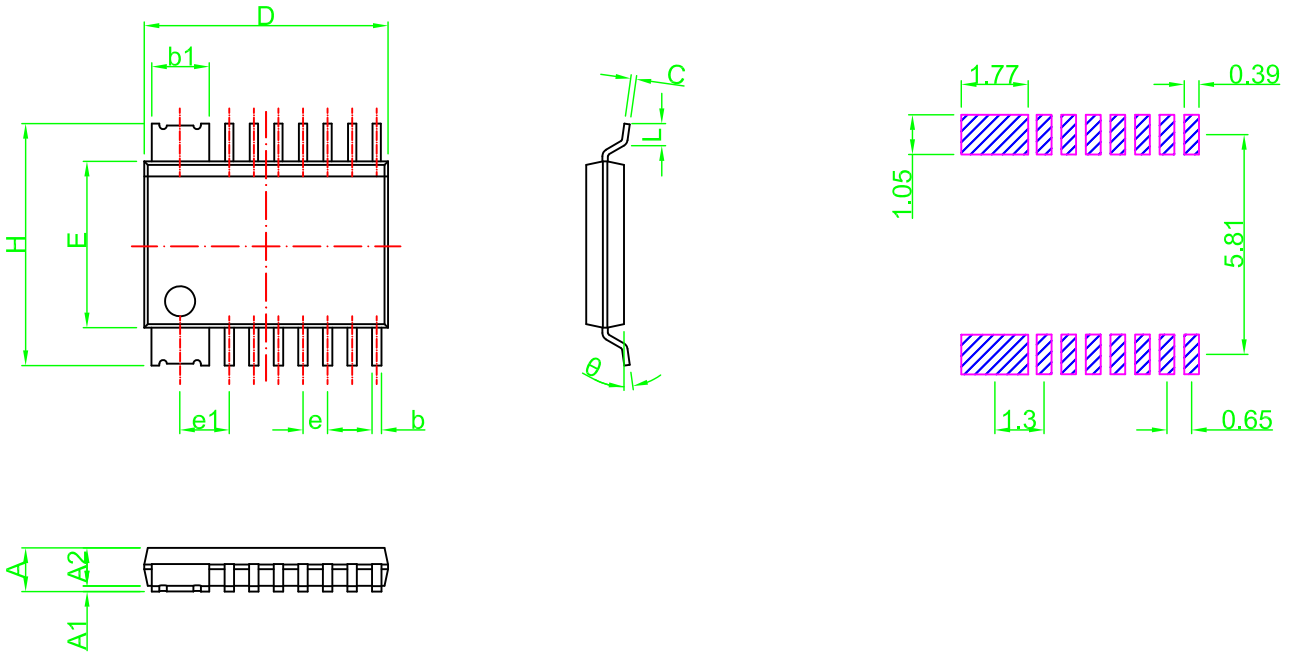
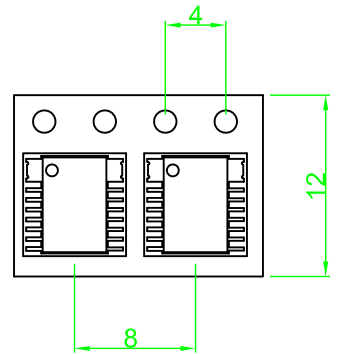


禁用RoHS / REACH/SS00259 之有害物質



Symbol	Dimensions in Millimeters		Dimensions in Inches	
	Min	Max	Min	Max
A	---	1.20	---	0.047
A1	0.05	0.20	0.002	0.008
A2	0.80	1.05	0.031	0.041
b	0.20	0.28	0.008	0.011
b1	1.48	1.61	0.058	0.063
C	0.10	0.19	0.004	0.007
D	6.35	6.55	0.250	0.258
E	4.30	4.50	0.169	0.177
e	0.65 TYP		0.026 TYP	
e1	1.30 TYP		0.051 TYP	
H	6.20	6.60	0.244	0.260
L	0.45	0.75	0.018	0.030
theta	0°	8°	0°	8°



- 1.Refer to JEDEC NO. MO-153
- 2.Coplanarity:0.10 mm max.



友順科技股份有限公司  
UNISONIC TECHNOLOGIES CO.,LTD

正式發行圖面

SCALE	mm
5:發行	0 30
SHEET	FOR THIRD ANGLE PROJECTION
of	10
ENG.	Ken Huang 2021/09/07
APPR.	Joshua Yang 2021/09/07

REV: A1  
PART NO:HTSSOP-14  
DWG NO:DIM-HTSSOP-14-000-A1

TITLE  
HTSSOP-14  
Package Dimensions

