



## LM2901

## LINEAR INTEGRATED CIRCUIT

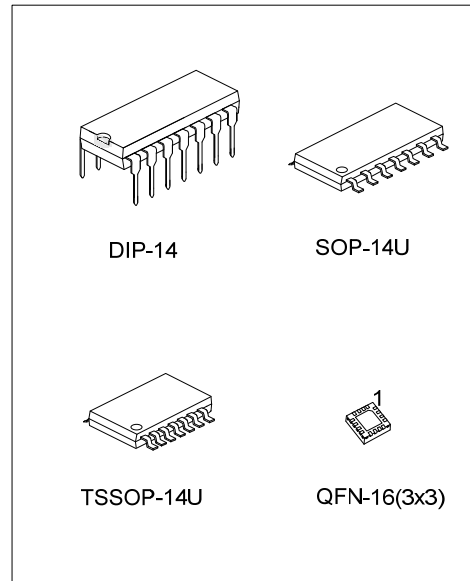
### QUAD DIFFERENTIAL COMPARATOR

#### DESCRIPTION

The UTC **LM2901** consists of four independent voltage comparators, designed specifically to operate from a single power supply over a wide voltage range.

#### FEATURES

- \* Signal or Dual Supply Operation
- \* Wide Operating Supply Range ( $V_{CC}=2V\sim 36V$ )
- \* Input Common-Mode Voltage Includes Ground.
- \* Low Supply Current  $I_{CC}=1.1mA$  (Typical)
- \* Open Collector Outputs for Wired and Connection
- \* Low Input Bias Current  $I_{BIAS}=25nA$  (Typical)
- \* Low Output Saturation Voltage
- \* Output Compatible with TTL, DTL, and CMOS Logic System



#### ORDERING INFORMATION

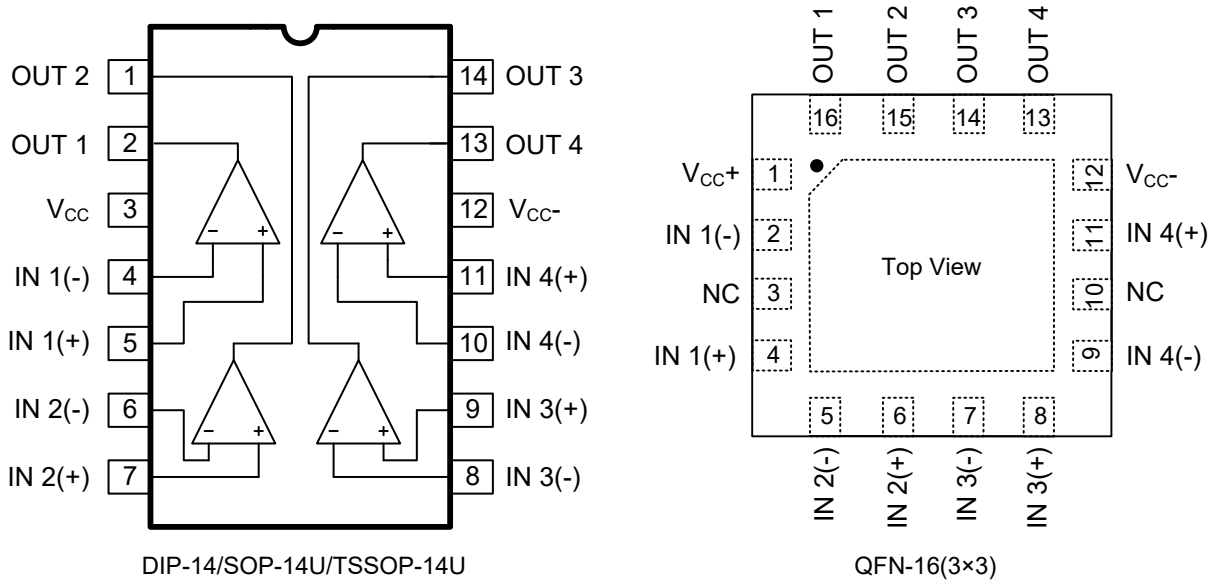
Ordering Number		Package	Packing
Lead Free	Halogen-Free		
LM2901L-D14-T	LM2901G-D14-T	DIP-14	Tube
LM2901L-UEA-R	LM2901G-UEA-R	SOP-14U	Tape Reel
LM2901L-UEB-R	LM2901G-UEB-R	TSSOP-14U	Tape Reel
LM2901L-Q16-3030-R	LM2901G-Q16-3030-R	QFN-16(3x3)	Tape Reel

<p>LM2901G-D14-T</p> <p>(1)Packing Type (2)Package Type (3)Green Package</p>	<p>(1) T: Tube, R: Tape Reel (2) DIP: DIP-14, UEA: SOP-14U, UEB: TSSOP-14U Q16-3030: QFN-16(3x3) (3) G: Halogen Free and Lead Free, L: Lead Free</p>
--	--

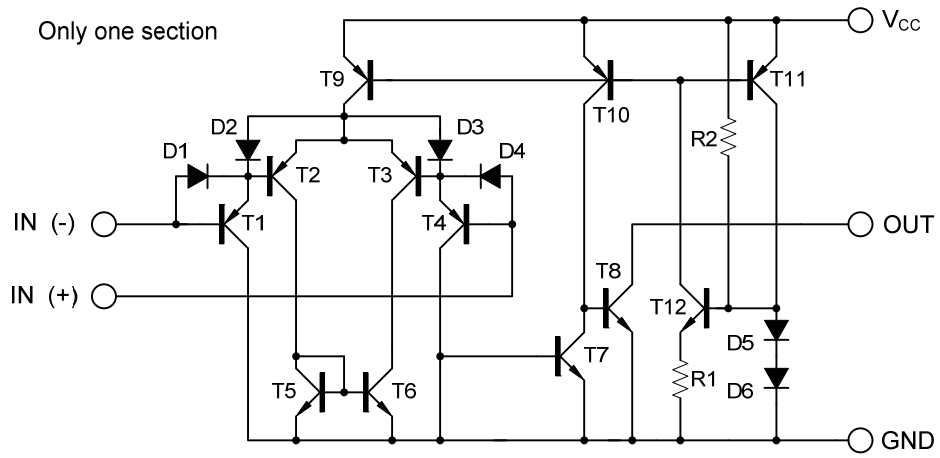
### MARKING

PACKAGE	MARKING
DIP-14	<p>                     UTC □□□□ → Date Code                      LM2901 □ → L: Lead Free                      □ → G: Halogen Free                      □□□□ → Lot Code                 </p>
SOP-14U TSSOP-14U	<p>                     UTC □□□□ → Date Code                      LM2901 □ → L: Lead Free                      □ → G: Halogen Free                      □□□□ → Lot Code                 </p>
QFN-16(3×3)	<p>                     UTC                      LM2901 □ → L: Lead Free                      □ → G: Halogen Free                      □□□□ → Date Code                      Lot Code ← □□□□                 </p>

### PIN CONFIGURATION



■ BLOCK DIAGRAM



■ ABSOLUTE MAXIMUM RATINGS ( $T_A=25^\circ\text{C}$ , unless otherwise specified)

PARAMETER		SYMBOL	RATINGS	UNIT
Supply Voltage		$V_{CC}$	$\pm 18$ or 36	V
Differential input Voltage		$V_{I(DIFF)}$	36	V
Input Voltage		$V_{IN}$	-0.3 ~ 36	V
Power Dissipation	DIP-14	$P_D$	800	mW
	SOP-14U		480	mW
	TSSOP-14U		360	mW
	QFN-16(3×3)		1300	mW
Junction Temperature		$T_J$	+150	$^\circ\text{C}$
Operating Temperature		$T_{OPR}$	-40 ~ +125	$^\circ\text{C}$
Storage Temperature		$T_{STG}$	-65 ~ +150	$^\circ\text{C}$

Notes: 1. Absolute maximum ratings are those values beyond which the device could be permanently damaged.

Absolute maximum ratings are stress ratings only and functional device operation is not implied.

2. It is guarantee by design, not 100% be tested.

■ ELECTRICAL CHARACTERISTICS

( $V_{CC}=5.0\text{V}$ , All voltage referenced to GND unless otherwise specified)

PARAMETER	SYMBOL	TEST CONDITIONS	MIN	TYP	MAX	UNIT
Input Offset Voltage	$V_{I(OFF)}$	$V_{CM}=0\sim V_{CC}-1.5$ , $V_{OUT(P)}=1.4\text{V}$ , $R_S=0$		$\pm 1.5$	$\pm 3.0$	mV
					$\pm 9.0$	mV
Input Offset Current	$I_{I(OFF)}$	$T_A=25^\circ\text{C}$		$\pm 2.3$	$\pm 50$	nA
		$T_A=-20\sim+85^\circ\text{C}$			$\pm 150$	nA
Input Bias Current	$I_{BIAS}$	$T_A=25^\circ\text{C}$		25	250	nA
		$T_A=-20\sim+85^\circ\text{C}$			400	nA
Input Common Mode Voltage	$V_{I(CM)}$	$T_A=25^\circ\text{C}$	0		$V_{CC}-1.5$	V
		$T_A=-20\sim+85^\circ\text{C}$	0		$V_{CC}-2.0$	V
Supply Current	$I_{CC}$	$R_L=\infty$	$T_A=25^\circ\text{C}$	1.7	2.0	mA
			$T_A=-20\sim+85^\circ\text{C}$			3.0
Large Signal Voltage Gain	$G_V$	$V_{CC}=15\text{V}$ , $R_L>15\text{k}\Omega$ , $T_A=25^\circ\text{C}$	50	200		V/mV
Large Signal Response Time	$t_{RES}$	$V_{IN}=\text{TTL logic wing}$ $V_{REF}=1.4\text{V}$ , $V_{RL}=5\text{V}$ , $R_L=5.1\text{k}\Omega$ , $T_A=25^\circ\text{C}$		350		ns
Response Time	$t_{RES}$	$V_{RL}=5\text{V}$ , $R_L=5.1\text{k}\Omega$ , $T_A=25^\circ\text{C}$		1400		ns
Output Sink Current	$I_{SINK}$	$V_{IN(-)}>1\text{V}$ , $V_{IN(+)}=0\text{V}$ , $V_{OUT(P)}<1.5\text{V}$	6	18		mA
Output Saturation Voltage	$V_{SAT}$	$V_{IN(-)}>1\text{V}$ , $V_{IN(+)}=0\text{V}$ , $I_{SINK}=4\text{mA}$	$T_A=25^\circ\text{C}$	140	400	mV
			$T_A=-20\sim+85^\circ\text{C}$			700
Output Leakage Current	$I_{LEAK}$	$V_{IN(+)}=1\text{V}$ , $V_{IN(-)}=0\text{V}$ , $T_A=25^\circ\text{C}$	$V_{OUT(P)}=5\text{V}$	0.1		nA
			$V_{OUT(P)}=30\text{V}$			1
Differential Input Voltage	$V_{I(DIFF)}$	$T_A=-20\sim+85^\circ\text{C}$			$V_{CC}$	V

## TYPICAL CHARACTERISTICS

Fig.1 Supply Current

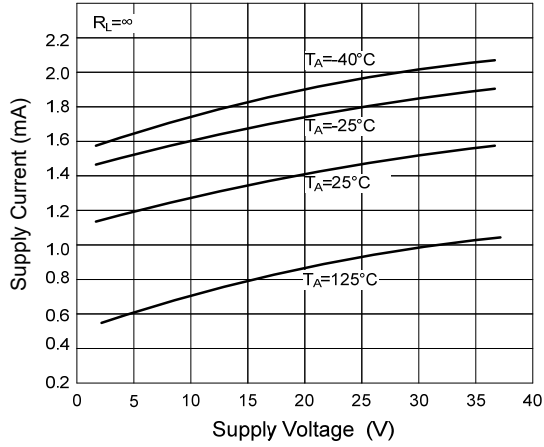


Fig.2 Input Current

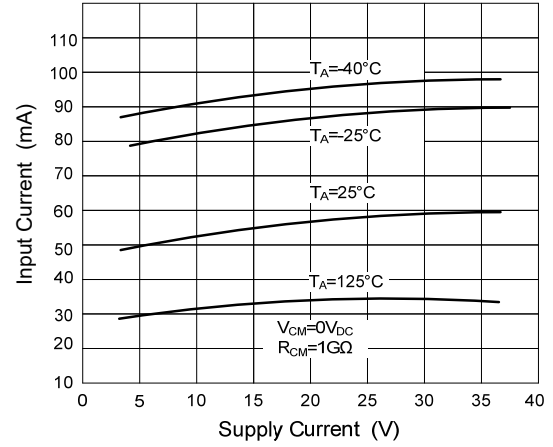


Fig.3 Output Saturation Voltage

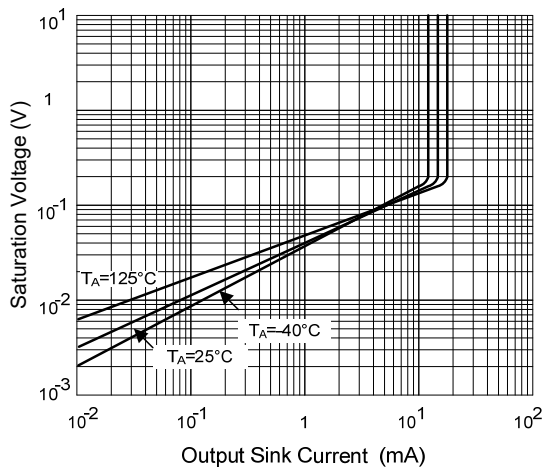


Fig.4 Reponse Time For Various Input Overdrive Negative Transition

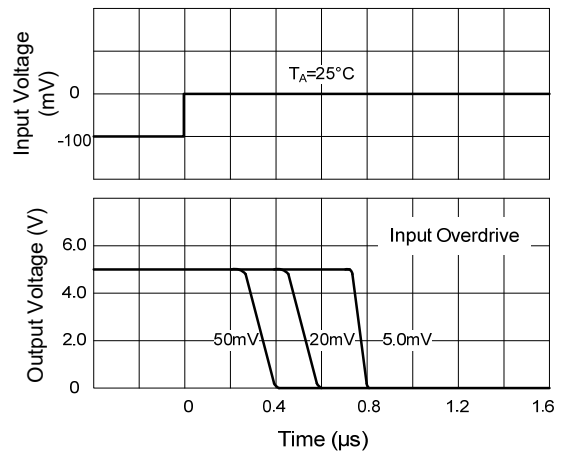
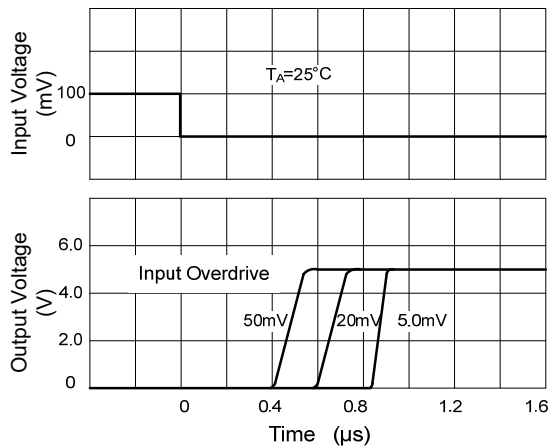


Fig.5 Reponse Time For Various Input Overdrive Positive Transition



UTC assumes no responsibility for equipment failures that result from using products at values that exceed, even momentarily, rated values (such as maximum ratings, operating condition ranges, or other parameters) listed in products specifications of any and all UTC products described or contained herein. UTC products are not designed for use in life support appliances, devices or systems where malfunction of these products can be reasonably expected to result in personal injury. Reproduction in whole or in part is prohibited without the prior written consent of the copyright owner. UTC reserves the right to make changes to information published in this document, including without limitation specifications and product descriptions, at any time and without notice. This document supersedes and replaces all information supplied prior to the publication hereof.