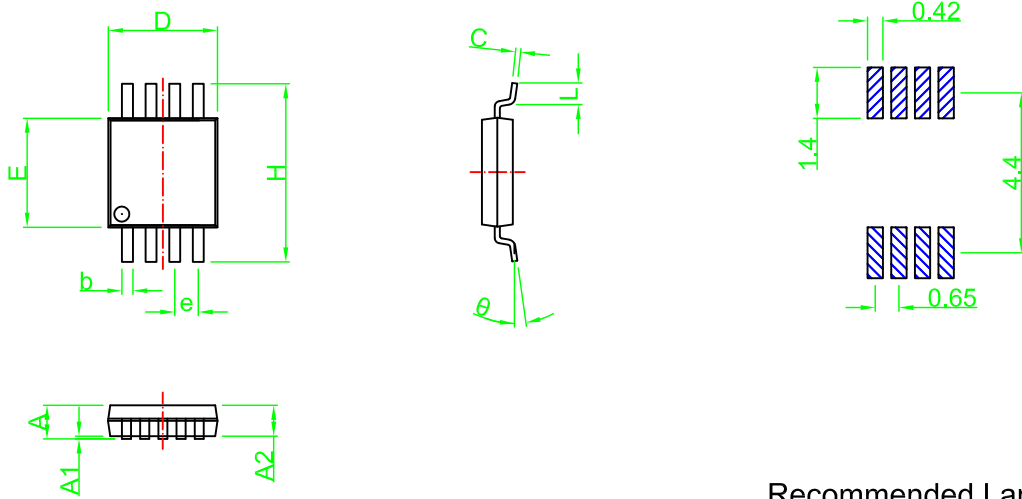
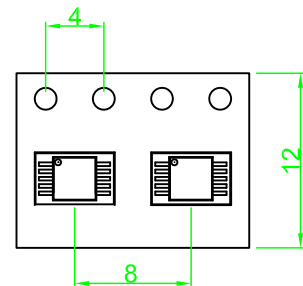


禁用RoHS / REACH/SS00259 之有害物質



Recommended Land Pattern

Symbol	Dimensions in Millimeters		Dimensions in Inches	
	Min	Max	Min	Max
A	---	1.10	---	0.043
A1	0.00	0.15	0.000	0.006
A2	0.75	0.95	0.030	0.037
b	0.22	0.38	0.009	0.015
c	0.08	0.23	0.003	0.009
D	2.90	3.10	0.114	0.122
E	2.90	3.10	0.114	0.122
H	4.70	5.10	0.185	0.201
e	0.65 TYP		0.026 TYP	
L	0.40	0.80	0.016	0.031
θ	0°	8°	0°	8°



Q'ty / Reel	Reel Size
2500 pcs	13"

Refer JEDEC NO.MO-187 AA



友順科技股份有限公司  
UNISONIC TECHNOLOGIES CO.,LTD

正式發行圖面

SCALE	mm	
5 : 1	0	30
SHEET	THIRD ANGLE PROJECTION	
1 of 1	FOR ISSUE	
ENG.	James Wu	2023/7/19
APPR.	Ken Huang	2023/7/31

REV: A2  
PART NO:MSOP-8  
DWG NO:DIM-MSOP-8-000-A2

TITLE  
**MSOP-8**  
**Package Dimensions**

UTC Doc.Control Center